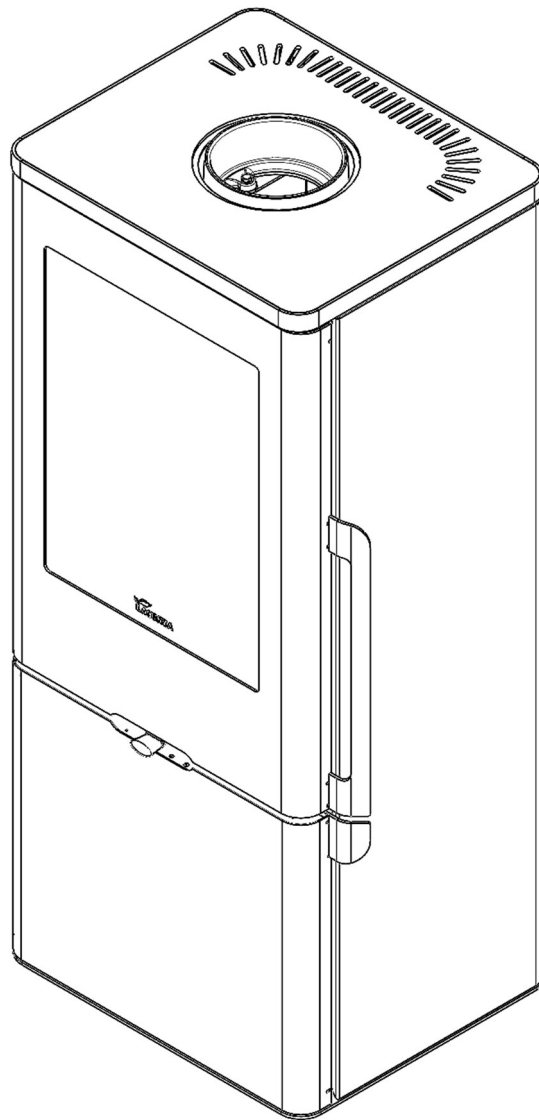


Vela

Instruction Book





Lacunza congratulates you on your choice.
Certified under ISO 9001, Lacunza guarantees the quality of its appliances and undertakes to meet the needs of its customers.

Confident of the know-how afforded by more than 50 years' experience, Lacunza uses advanced technologies in the design and manufacture of its entire range of appliances. This document will help you install and use your appliance in optimum conditions for your comfort and safety.

CONTENTS

1. PRESENTATION OF THE APPLIANCE	3
1.1. General characteristics	3
1.2. Safety distances	7
2. INSTRUCTIONS FOR THE INSTALLER.....	8
2.1. Warning to installers	8
2.2. Room for installation	8
2.2.1. Ventilation of the room	8
2.2.2. Location of the appliance in the room	9
2.3. Installation of the appliance.....	9
2.3.1. Floor.....	9
2.3.2. Checks before lighting for the first time	9
2.3.3. Height adjustment and levelling the appliance	9
2.3.4. Connection to the flue	9
2.3.4.1. Upper flue connection	9
2.3.4.2. Rear flue connection	9
2.3.5. Preparing the outside air connection	10
2.4. Chimney flue	11
2.4.1. Type of flue.....	11
2.4.2. Chimney crown.....	12
3. INSTRUCTIONS OF USE	14
3.1. Fuel	14
3.2. Description of the parts of the appliance	15
3.2.1. Operating components	15
3.3. Lighting	15
3.4. Safety.....	16
3.5. Loading fuel	16
3.6. Operation	16
3.7. Removing ash.....	17
3.8. Deflectors.....	17
3.9. Leveling feet	18
3.10. Automatic closing	18



3.11. Door opening and closing	19
3.12. Stone panels	20
4. MAINTENANCE AND IMPORTANT ADVICE.....	23
4.1. Maintenance of the appliance.....	23
4.1.1. Firebox	23
4.1.2. Inside the appliance	23
4.1.3. Flue socket	23
4.1.4. Painted sheet-steel-cast-iron parts.....	23
4.1.5. Firebox glass.....	23
4.1.6. Air intake registers	23
4.2. Maintenance of the chimney flue.....	23
4.3. Important advice.....	24
5. TROUBLESHOOTING.....	25
6. BASIC BREAKDOWNS	26
7. PRODUCT RECYCLING.....	29
8. DECLARATION OF PERFORMANCE	30
9. CE MARK.....	36



1. PRESENTATION OF THE APPLIANCE

For optimum operation of the appliance, we advise you to read this manual carefully before switching on the appliance for the first time. In case of problems or concerns, we urge you to contact your dealer, who will cooperate with you.

In order to improve the product, the manufacturer reserves the right to make changes without notice by updating this document.

This appliance is designed to burn wood in absolutely safe conditions.

WARNING: Faulty installation may have serious consequences.

Installation and all necessary regular maintenance operations must be performed by an authorized installer in full accordance with the specifications set out in the legislation applicable in each country and this instruction book.

1.1. General characteristics

	Unit	VELA		
Operating appliance	-	Intermittent		
Appliance classification	-	Type CA		
Preferred fuel	-	Wood logs (Humidity<25%)		
Indirect heating functionality	-	NO		
Values at Nominal Output	Nominal output to atmosphere (Direct) (P_{nom})	kW	5,5	7,1
	Efficiency at P_{nom} (η_{nom})	%	82	86
	CO emission at 13% O ₂ at P_{nom} (CO_{nom})	mg/m ³	586	648
	NO _x emission at 13% O ₂ at P_{nom} (NO_{xnom})	mg/m ³	127	73
	OGC emission at 13% O ₂ at P_{nom} (OGC_{nom})	mg/m ³	12	13
	PM emission at 13% O ₂ at P_{nom} (PM_{nom})	mg/m ³	7	9
	Optimum flue draught at P_{nom} (p_{nom})	Pa	12	12
	Gas temperature of flue at P_{nom} (T_{nom})	°C	247	202
	Gas temperature on the flue socket flange at P_{nom}	°C	297	242
	Log load frequency at P_{nom}	min	45	40
	Gas mass flow at P_{nom}	g/s	5,2	5,7
	Wood consumption (beech) at P_{nom}	kg/h	1,46	1,95
Values at Partial Load Output	Partial load output to atmosphere (Direct) (P_{parc})	kW	2,2	
	Efficiency at P_{parc} (η_{parc})	%	88	
	CO emission at 13% O ₂ at P_{parc} (CO_{parc})	mg/m ³	3524	
	NO _x emission at 13% O ₂ at P_{parc} (NO_{xparc})	mg/m ³	125	
	OGC emission at 13% O ₂ at P_{parc} (OGC_{parc})	mg/m ³	361	
	PM emission at 13% O ₂ at P_{parc} (PM_{parc})	mg/m ³	24	
	Optimum flue draught at P_{parc} (p_{parc})	Pa	6	
	Gas temperature of flue at P_{parc} (T_{parc})	°C	144	
	Log load frequency at P_{parc}	min	45	
Chimney temperature class	-	T400		
Dimensions of the firebox				



Width	mm	350	
Depth	mm	370	
Useful height	mm	390	
Maximum length of the logs	cm	350	
Volume heated ($45W/m^3$) at P_{nom}	m^3	122	158
Capacity of the ashpit	L	1,65	
Weight	kg	125	
Flue socket diameter (d_{out})	mm	150	
Type of heat output/room temperature control	Single stage heat output, no room temperature control		
Energy efficiency class	-	A+	
Energy efficiency index (EEI)	-	109	115
Seasonal Energy Efficiency of space heating (η_s)	%	72	76

Note: The values indicated in the above table are based on tests performed in accordance with EN-16510 with logs with no more than 18% humidity and pressure conditions as indicated in each case.

Warning: this appliance is designed and prepared to work with the types of fuel, degree of humidity of the fuel, fuel loads, fuel load frequencies, flue draught and system of installation indicated in this Instruction Book. Failure to respect these conditions may lead to problems with the appliance (deterioration, shorter useful life, etc.) which are not covered by the Lacunza warranty.

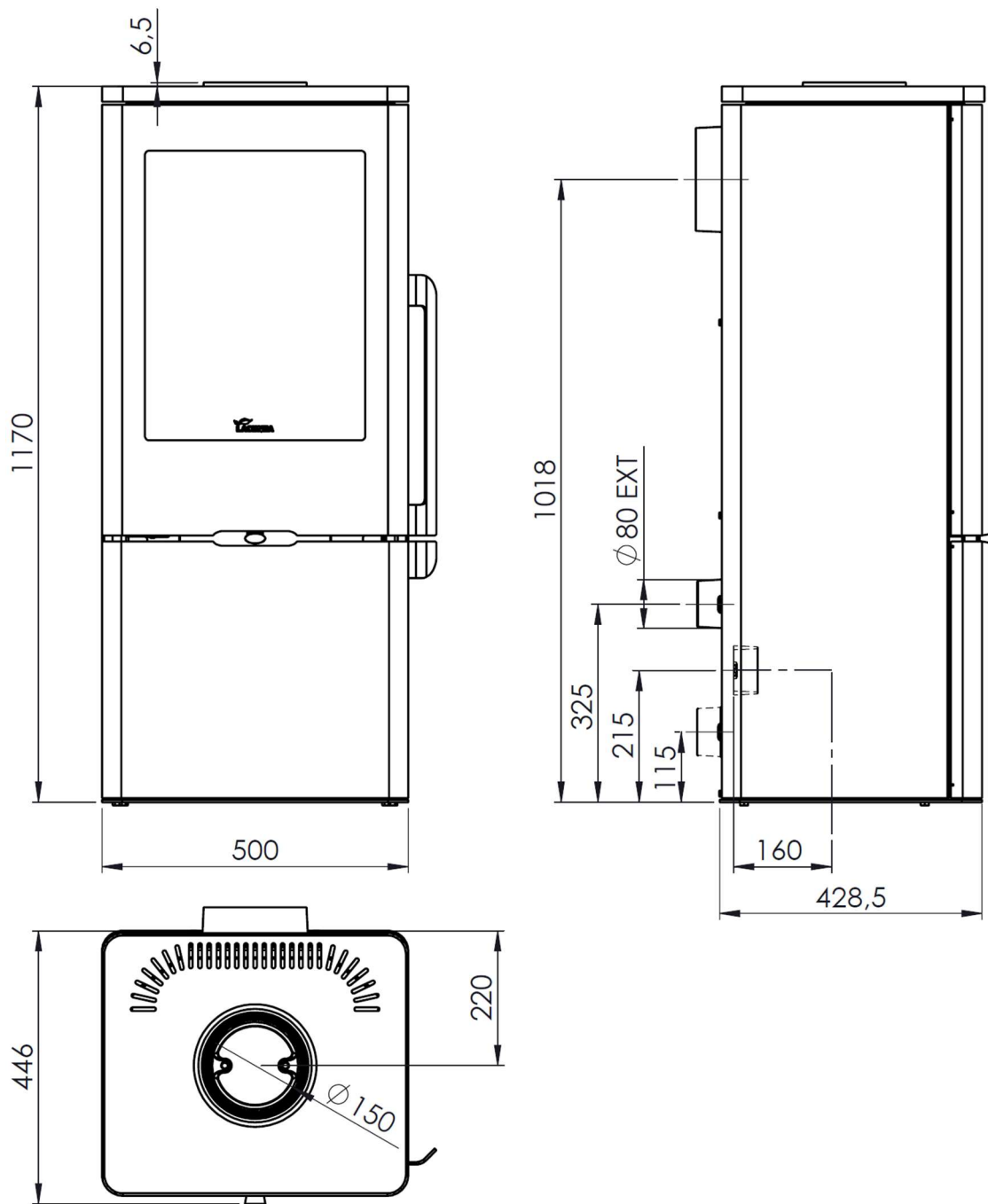


Figure No.1 - Dimensions of the VELA appliance in mm

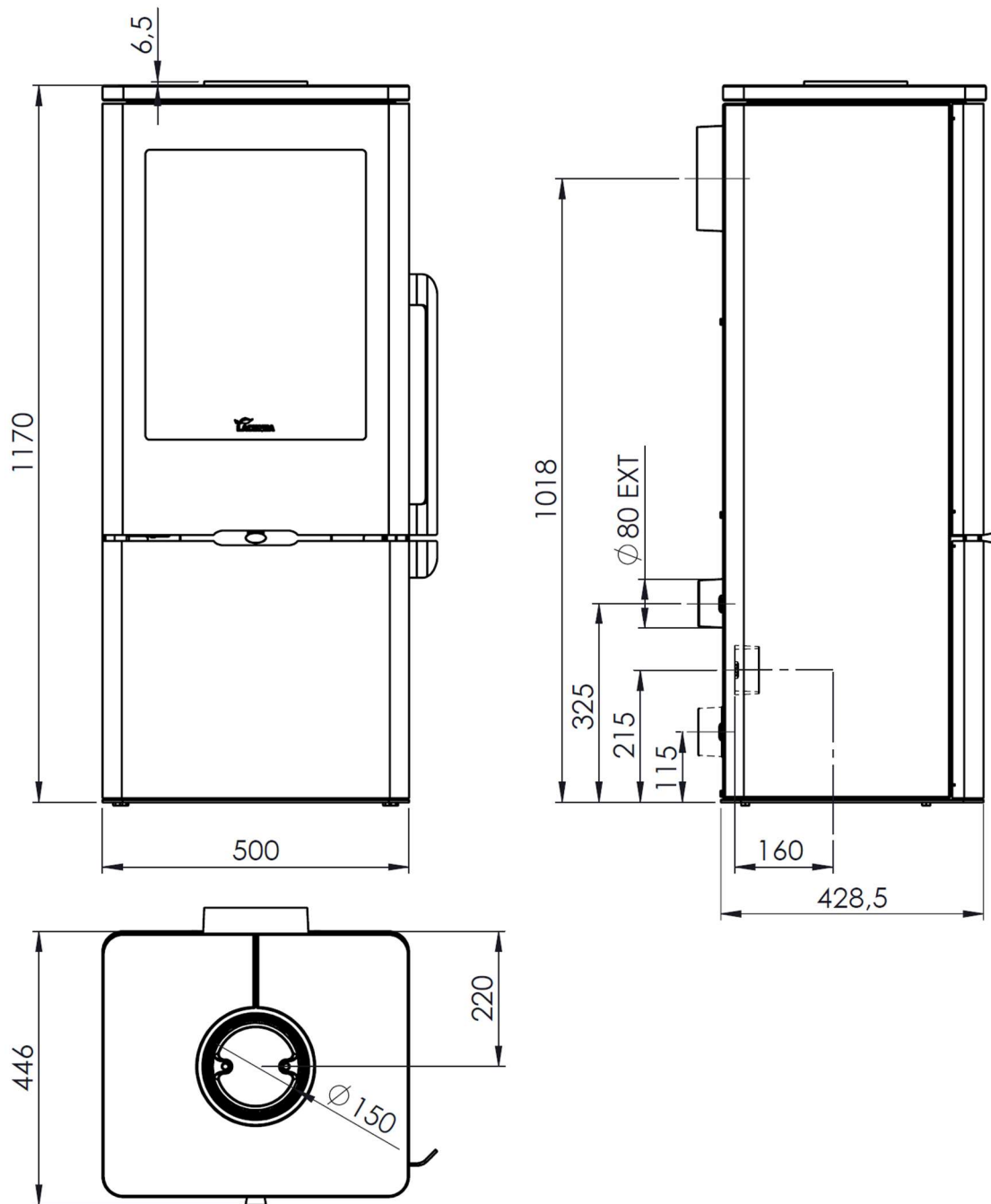
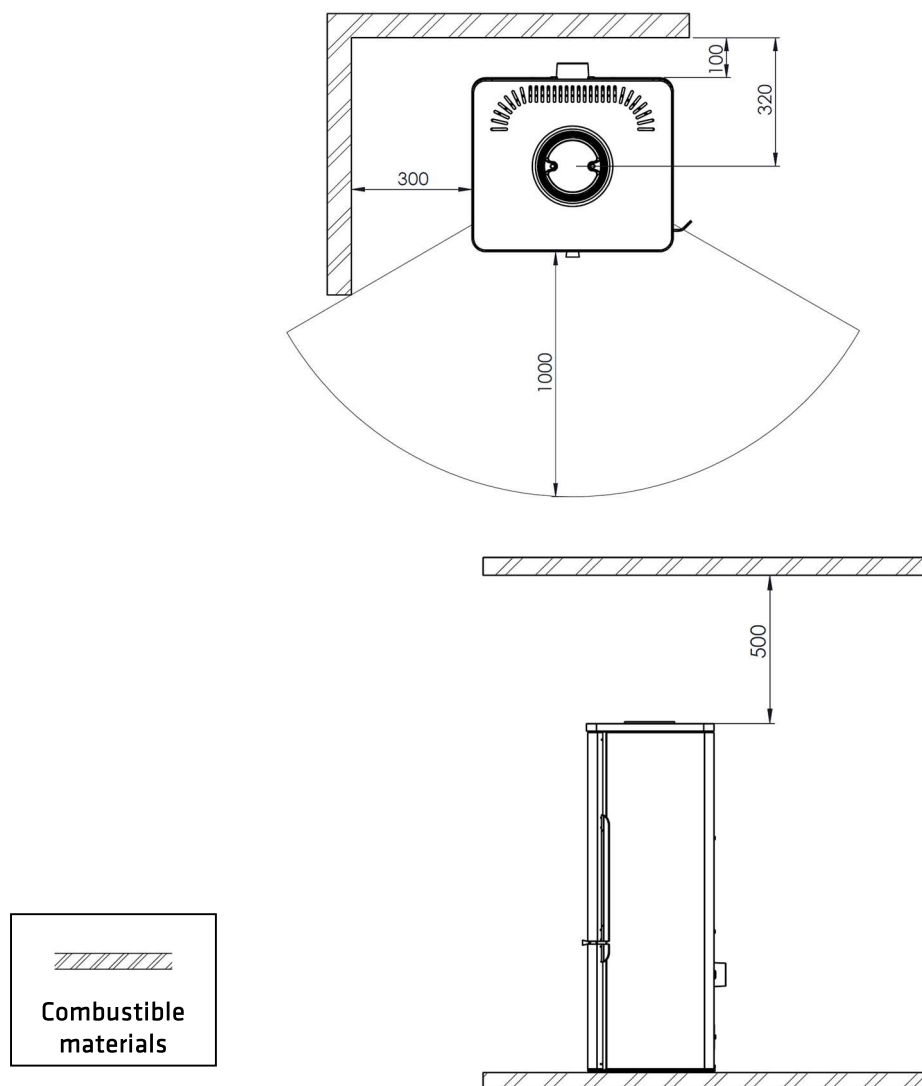


Figure No.2 - Dimensions of the VELA Serpentino appliance in mm



1.2. Safety distances

Be sure to respect the appliance installation distances from **combustible materials**. Looking at the appliance head-on: (Distances in mm)



Bear in mind that it may even be necessary to protect non-combustible material in order to prevent breakage, deformation, etc., as a result of overheating if the non-combustible material is not designed to withstand high temperatures.



2. INSTRUCTIONS FOR THE INSTALLER

2.1. Warning to installers

All local and national regulations, including all those referring to national and European standards, must be observed when installing the appliance.

Installation of the appliance must be performed by an authorised installer.

An incorrectly installed appliance may lead to serious incidents (fires, creation of harmful gases, deterioration of nearby fixtures, etc.).

Lacunza's liability is limited to the supply of the material and does not include installation of the appliance.

2.2. Room for installation

2.2.1. Ventilation of the room

The appliance needs to consume oxygen (air) in order to work properly. Ensure a suitable air supply in the room in which the appliance is fitted. This quantity of oxygen is additional to the oxygen that we need in order to breathe (air renewal).

In order to ensure the high quality of the air you breathe and to avoid potential accidents resulting from high concentrations of the gases produced by combustion (mainly carbon dioxide and carbon monoxide), it is absolutely crucial to ensure the suitable renewal of the air in the room in which the appliance is fitted.

the room must always have at least two permanent grilles or openings to the exterior in order to renew the air (one for intake and the other for extraction).

For the installation of its appliances, Lacunza recommends an additional section for these openings. One of these two grilles must be situated high up in the room (at less than 30 cm from the ceiling) and the

other one low down (at less than 30 cm from the floor). Both grilles must open outdoors in order to renew the air in the room with fresh air.

The air inlet grilles must be positioned so that they cannot be blocked or closed accidentally.

The minimum section that each of these grilles must have depends on the nominal output of the appliance in accordance with the following table:

Output of the appliance (kW)	Minimum additional section of each of the grilles (cm ²)
$P \leq 10\text{kW}$	70
$10 < P \leq 15$	90
$15 < P \leq 20$	120
$20 < P \leq 25$	150
$25 < P \leq 30$	180
$30 < P \leq 35$	210
$P > 35$	240

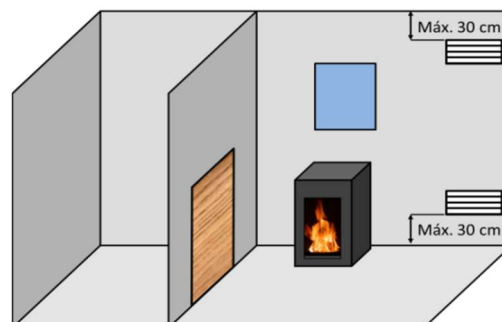


Figure No.3 - Guideline indications for ventilation grilles

In the case of appliances on which it is possible to pipe combustion air in from outdoors (appliances type BE, BF, CA, CM y CC), the specifications described in the Table above are not necessary.

The appliance must always be used with the door closed.

In rooms equipped with Controlled Mechanical Ventilation, the system



extracts and renews the ambient air; in such cases, the room is at slightly low pressure and it is necessary to install a non-closable outside-air inlet with a section of at least 90 cm².

2.2.2. Location of the appliance in the room

Choose a location in the room which favours good hot-air distribution by convection and radiation.

2.3. Installation of the appliance

2.3.1. Floor

Make sure that the base can withstand the total constructed weight of the appliance and its casing.

The apparatus should not be placed on combustible material.

2.3.2. Checks before lighting for the first time

- Make sure that the glasses are not broken or damaged.
- Make sure that the flueway is not obstructed with packing or loose parts.
- Check the deflectors are correctly positioned.
- Make sure that the airtight joints on the flue circuit are in perfect condition.
- Make sure that the doors close properly.
- Make sure that all moving parts are fitted in place.

2.3.3. Height adjustment and levelling the appliance

The appliance must be perfectly level, horizontally and vertically, both at the front and on the sides (use a spirit level).

2.3.4. Connection to the flue

The appliance must be connected to the chimney flue using special piping designed to resist the products of combustion (e.g. stainless steel, enamelled steel, etc.).

To connect the flue to the socket flange, insert the piping inside the flange and seal the joint with fire sealant or fire cement to make it completely airtight.

The installer must ensure that the pipe connected to the appliance is well secured and there is no chance of it coming free from its housing (e.g. as a result of dilatation due to temperature, etc.).

2.3.4.1. Upper flue connection

The unit is supplied as standard with the connection collar mounted for connection at the top (A), see the following picture.

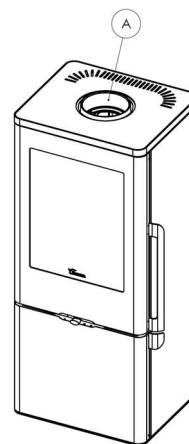


Figure No.4 - Upper smoke outlet

2.3.4.2. Rear flue connection

The appliance is prepared to install the smoke outlet at the rear, exchanging the components (A) and (B) and cutting the outlet to the double rear one.

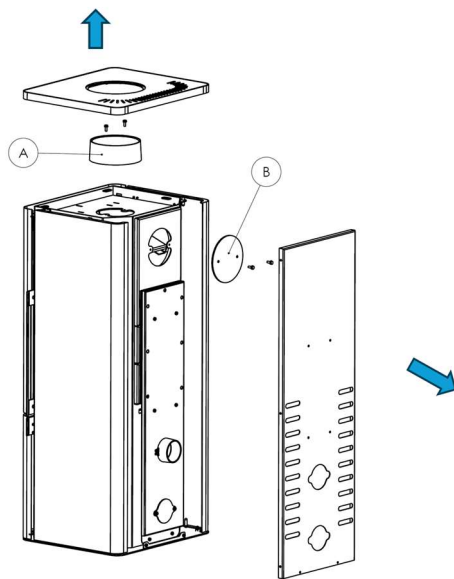


Figure No.5 - Interchange components (A) and (B) for rear smoke outlet

2.3.5. Preparing the outside air connection

On this model, it is possible to pipe air to the appliance for combustion straight from outdoors. We recommend that, if possible, air be drawn from outdoors for combustion via a non-closable pipe with a diameter of 80 mm leading to the nozzle on the bottom-front of the appliance.

If the tube is straight, it can have a maximum of 12 meters in length. If you use accessories like elbows, you must subtract the total length (12 meters) 1 meter for each accessory used.

This is the best option because it means that draughts are not created in and oxygen is not consumed from the room in which the appliance is fitted. A further advantage is that there is no danger of downdraught which may hinder the correct updraught of the appliance when an extractor or mechanical ventilation appliance is used in the same room as the central-heating appliance or in another one alongside it.

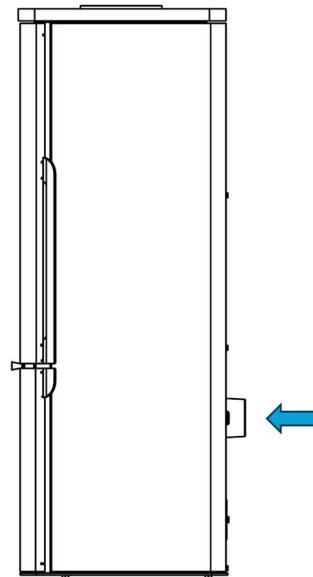


Figure No.6 - OPTION 1 (Installed) Air conduction for the combustion chamber

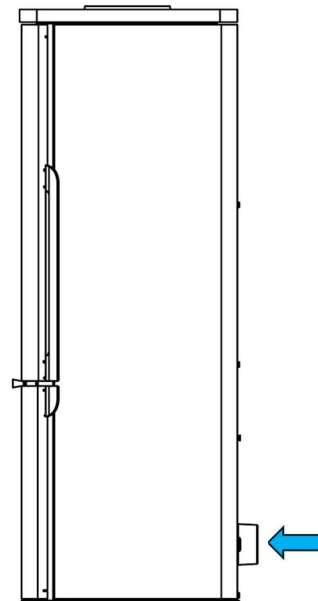


Figure No.7 - OPTION 2 Air conduction for the combustion chamber

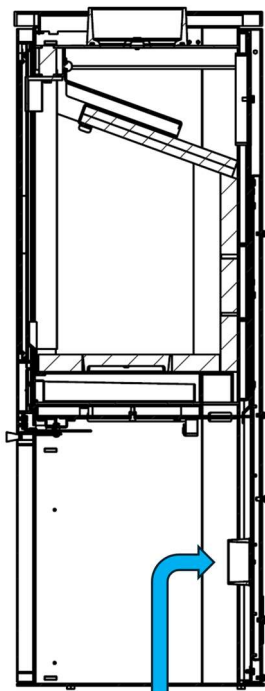


Figure No.8 - OPTION 3 Air conduction for the combustion chamber

If this is not possible, ensure that the appliance receives air for combustion.

Outside air connection via the wall

1. Make an opening in the wall (see the measurements of the appliance on the section 1.1 to see the exact position of the hole).
2. Close the air connection hermetically to the wall.

2.4. Chimney flue

The chimney flue must comply with present standards on the installation of chimneys.

In rooms equipped with Controlled Mechanical Ventilation, the ventilation outlet must never be connected to the flue.

The appliance must always have its own chimney flue, never sharing a chimney flue with another appliance.

2.4.1. Type of flue

The flue must be made of special material designed to resist the products of combustion (e.g. stainless steel, enamelled steel, etc.).

Non-central-heating appliances (without back boiler) require an insulated, double-sleeve flue only on those sections that run outdoors or through cold areas. Single piping can be used inside the building, the heat of the gases serving to heat rooms, insulating only those sections where excess temperature may cause damage.

If the chimney is constructed, then it is necessary to pipe and insulate it to ensure correct updraught.

The diameter of the pipe must be the same as the diameter of the flue socket on the appliance over its entire length in order to ensure correct operation.

The flue must prevent the entry of rainwater.

The flue must be clean and airtight over its entire length.

The flue must be at least 6m tall and the chimney cap must not hinder the free release of gases.

If the flue tends to suffer from downdraught, then it is necessary to fit an effective anti-downdraught cowl, a static cowl or a smoke extraction fan, or reshape the chimney.

Never make 90° bends, due to the great loss of draught they cause, and reduce 45° bends down to an absolute minimum. Each 45° bend is equivalent to a 0.5m reduction in flue length. Horizontal flue sections should not be installed because they cut updraught a great deal.

The appliance is designed to operate under controlled draught conditions. The appliance must operate at a chimney draught of between 12Pa and 15Pa. To ensure this draught, an automatic draught



moderator must be installed in the flue. Uncontrolled draught operation can lead to quick damage of the appliance, which will not be covered by the warranty.

The flue must not rest its weight on the appliance, as this could damage the worktop.

Bear in mind that high temperatures may be reached in the flue, meaning that it is essential that insulation be enhanced in sections in which combustible material is present (wooden beams, furniture, etc.). It may even be necessary to protect non-combustible material in order to prevent breakage, deformation, etc., as a result of overheating if the material is not designed to withstand high temperatures.

It must be possible to clean the entire flue, no sections being left inaccessible for cleaning purposes.

2.4.2. Chimney crown

The upper end of the chimney must clear the roof, the roof ridge or any obstacle located on the roof by at least 1m.

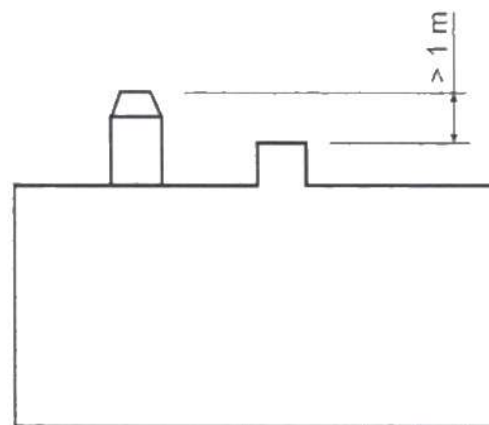
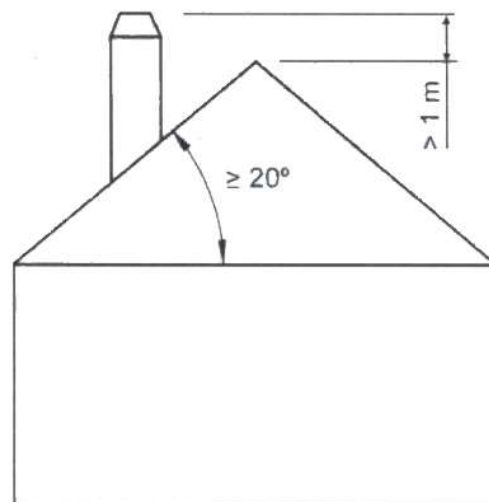
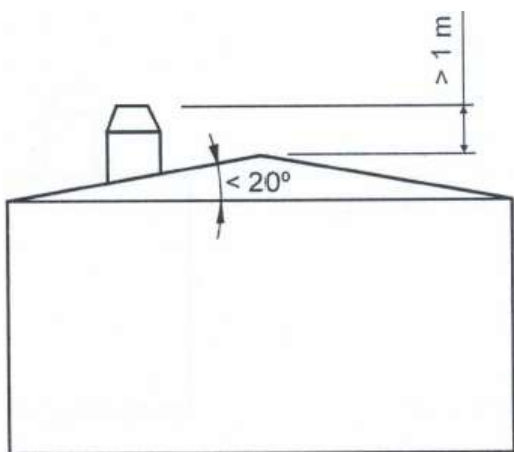


Figure No.9 - Distances between chimney crown and roof ridge

The chimney crown must clear the highest point of any neighbouring building or obstacle located within a 10m radius of the chimney outlet by more than 1m.

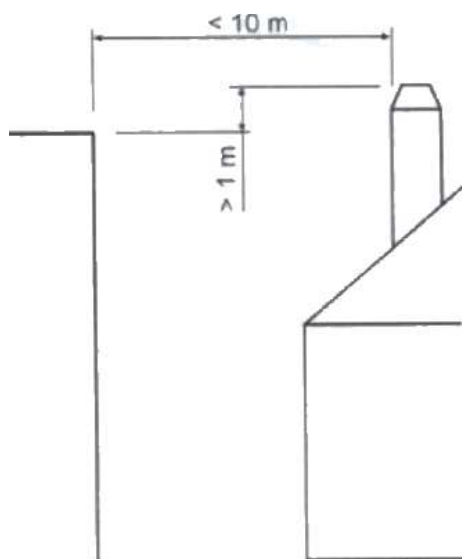


Figure No.10 - Distances between the chimney crown and objects within a 10m radius

The chimney crown must clear any neighbouring building or obstacle located

within a radius of 10m to 20m from the chimney outlet.

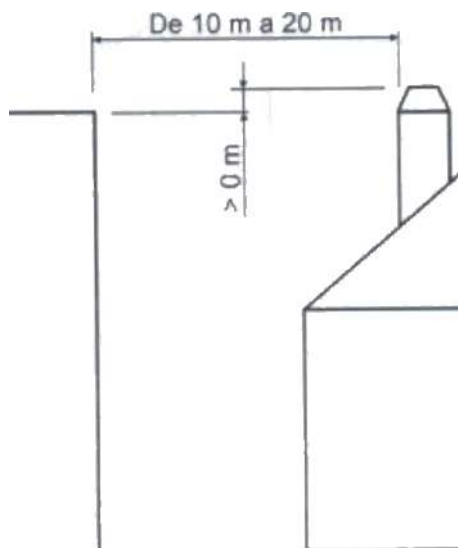


Figure No.11 - Distances between the chimney crown and objects within a radius of between 10 and 20m

3. INSTRUCTIONS OF USE

The manufacturer accepts no liability whatsoever for damage caused to parts as a result of the improper use of non-recommended fuels, modifications made to the appliance or how it is installed.
Only use original replacement parts.

All local and national regulations, including those referring to national and European standards, must be observed when using the appliance.

Heat is diffused by radiation and convection via the front and exterior of the appliance.

3.1. Fuel

This appliance must not be used as an incinerator. Do not use non-recommended fuels.

- Use dry logs (max. 16% humidity), cut at least 2 years ago, clean of resin and stored in a sheltered, ventilated place.
- Use hard woods with high calorie values and good ember production.
- Large logs should be cut to useable lengths before being stored. The logs should have a maximum diameter of 150mm.
- Finely-chopped wood produces greater heat output, but also burns more quickly.

Optimum fuels:

- Hornbeam, Beech.

Other fuels:

- Oak, chestnut, ash, maple, birch, elm, etc.
- Pine and eucalyptus logs are low density and produce very long flames and may cause the parts of the

appliance to wear out more quickly than normal.

- Resinous wood may mean that the appliance and the flue need to be cleaned more often.

Non-permitted fuels:

- All types of coal and liquid fuel.
- “Green wood”. Green or damp wood reduces the performance of the appliance and leads to soot and tar build-up on the inner walls of the flue, obstructing it.
- “Recovered wood”. The burning of treated woods (railway sleepers, telegraph posts, plywood, fibreboard, pallets, etc.) quickly blocks the system (soot and tar build-up), harms the environment (pollution, smells) and may lead to deformation of the firebox due to overheating.
- All materials which are not wood (plastic, spray cans, etc.).
- Never use gasoline, gasoline-type lamp fuel, paraffin, charcoal lighter fluid, ethyl alcohol or similar liquids to ignite or rekindle a fire in the equipment. Keep all such liquids away from the equipment while it is in use.

Green and reprocessed wood may cause chimney fires.

The graph below shows how the humidity of firewood affects its heat output:

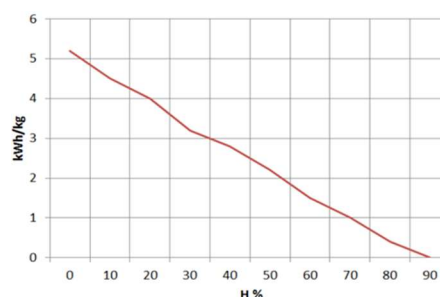


Figure No.12 - Relationship between firewood humidity and heat output.



3.2. Description of the parts of the appliance

3.2.1. Operating components

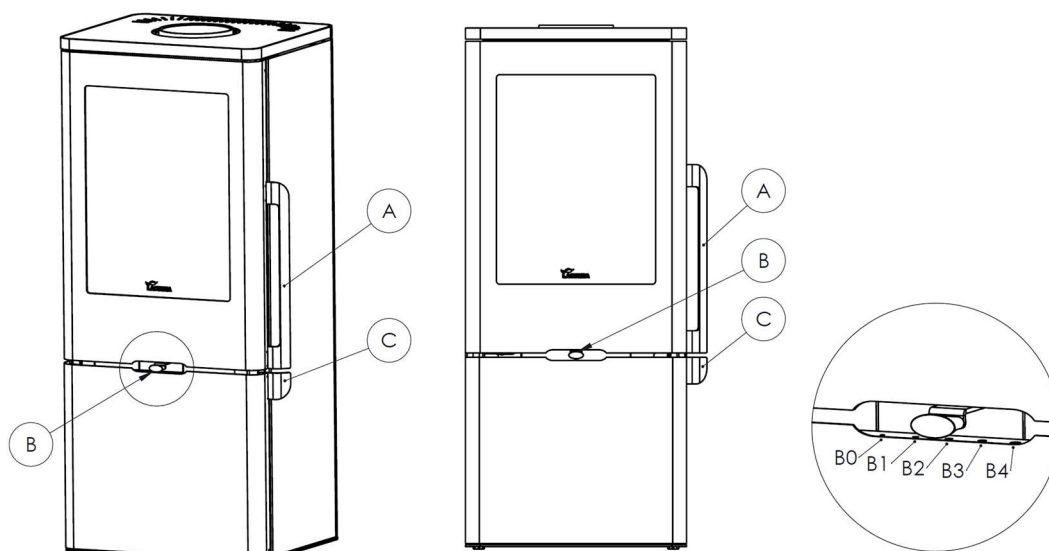


Figure No.13 - Operating components on the appliance

- A: Firebox door handle
- B: Combustion air intake regulation
 - B0 close
 - B4 open
- C: Door handle woodshed

3.3. Lighting

Use of the appliance in warm weather (warm days, early hours of the afternoon on sunny days) may lead to lighting and updraught problems.

Certain weather conditions, such as fog, ice, humidity entering the flue, etc., may hinder sufficient updraught in the flue and lead to suffocation.

Proceed as follows in order to light the appliance satisfactorily:

- Open the firebox door(s) and open all the firebox air-intake inlets to the full.

- Place paper or a firelighter and some wood chips in the firebox.
- Light the paper or firelighter.
- Leave the door slightly ajar, the width of two or three fingers, for about 15 minutes until the glass warms up.
- The first time the appliance is lit, the fire should be gentle to allow the parts of the appliance to dilate and dry.

Important: The first time it is lit up, the appliance may give off smoke and strange smells. This is not a cause for concern. Open an outdoor window to ventilate the room during the first few hours of operation.

If you notice water around the appliance, this is produced by the

condensation of the moisture in the wood on lighting the fire. This condensation will no longer appear when the appliance has been lit three or four times and has adapted to its flue. If it does not disappear, then check the flue draught (length and diameter of the flue, flue insulation, airtightness) and the humidity of the wood used.

3.4. Safety

Do not store combustible materials beneath the appliance.

3.5. Loading fuel

In order to load firewood, open the firebox door gently, preventing the sudden entry of air to the firebox so that smoke does not enter the room that the appliance is installed in.

Perform this operation with the glove to prevent burns to the hands.

The maximum height of the load shall be approximately one third of the height of the firebox.

The minimum interval between loads for nominal heat output is 60 minutes.

Always load with the nominal amount (see table in section 1.1).

For minimum burning (e.g. at night), use thicker logs.

When the firebox is loaded, close the door.

Be careful when placing logs in the firebox on appliances with vermiculite interiors. Vermiculite is a fragile material and may crack if knocked. The use of wood with non-recommended humidity levels will quickly damage the vermiculite parts.

3.6. Operation

The appliance should be operated with the door.

For safety reasons, never close all the appliance's combustion-air intakes.

Primary-air intake

To fully open the primary air inlet, the register lever must be moved to position B4. Moving the register to position B3 closes the primary air inlet register.

Secondary-air intake

To start opening this inlet, the register lever must be placed in position B1. By moving the register up from this position to B4, a gradual opening of the secondary air inlet is achieved.

Opening this inlet, we introduce air into the combustion chamber through the upper part of the firebox door and side doors.

IMPORTANT: Keeping the secondary-air intake open helps keep the door glass cleaner for longer.

Double-combustion air intake

Moviendo la palanca del registro desde la posición B0 hasta B4, se consigue una apertura gradual de la entrada de aire de doble combustión, estando cerrada en la posición B0 y abierta al 100% en la posición B4.

By opening this inlet, air enters the combustion flame, making for more efficient and less polluting combustion because post-combustion takes place, burning the particles which were not burned in the first combustion. This increases the performance of the appliance and reduces emissions.

IMPORTANT: The appliance is exposed to extreme changes in temperature and may, as a result, make noises when in operation. These noises are a natural result of expansion/contraction of the parts which make up the appliance. Do not be alarmed by noises of this kind.

To obtain maximum power, we will open all the air inlet registers by placing the

register lever in position B4, and to obtain minimum power we will tend to close the register. For normal use, at nominal power, it is advisable to place the register lever in position B2.

In class B or BE appliances (without combustion air ducting from the street), when the appliance is not in use, the appliance-flue duct assembly may represent a heat leakage route to the street. When the appliance is not in use, it is advisable to leave the air inlet registers to the combustion chamber closed to minimize these energy losses.

3.7. Removing ash

After continuous use of the appliance, it is essential to remove the ash from the fireplace. Remove the ashes with the ashtray when it is cold, or with the help of something to avoid getting burnt (gloves).

Never throw the hot embers in the rubbish bin.

Access the ashtray by opening the door of the fireplace.

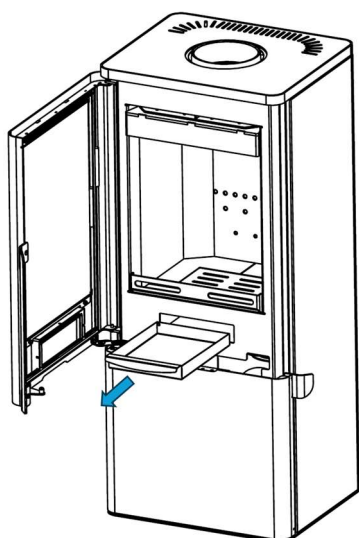


Figure No.14 - Removal of the ashtray

3.8. Deflectors

The apparatus is fitted with two deflectors, one made of vermiculite in two

pieces and another steel deflector on top of the vermiculite.

Dismantling the deflectors

First, the steel reinforcement has to be removed.

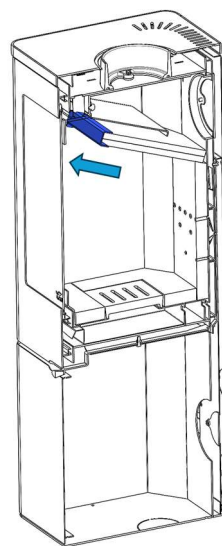


Figure No.15 - Removing the deflector

The two pieces of vermiculite are then removed.

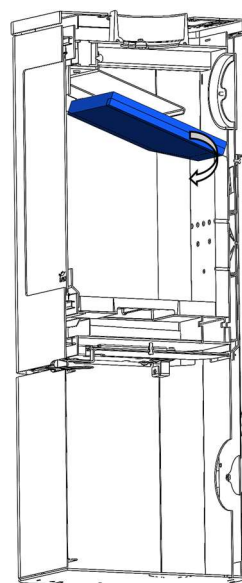


Figure No.16 - Removing the vermiculite pieces

Finally, remove the steel deflector by first moving it upwards to unlatch it.

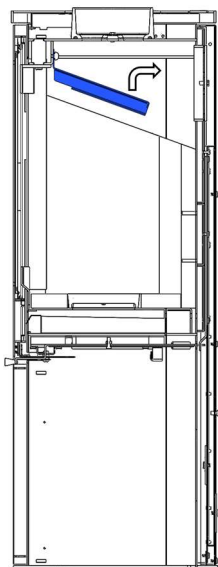


Figure No.17 - Removing the steel deflector

3.9. Leveling feet

The unit is prepared for the installation of 4 screwed leveling feet.

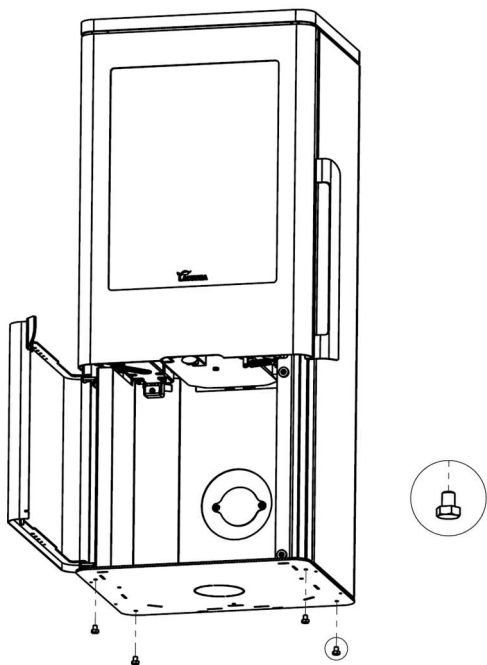


Figure No.18 - Installation of leveling feet

3.10. Automatic closing

The unit is fitted with an automatic locking system which can be disassembled by following the steps below.

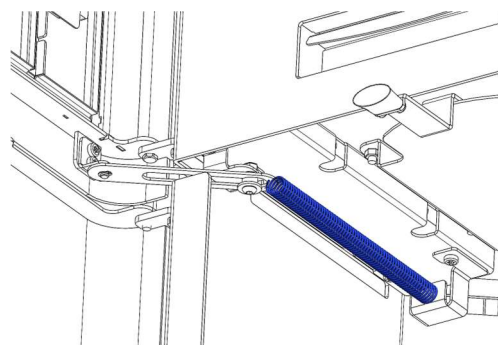


Figure No.19 - Step 1. Disassembling the spring

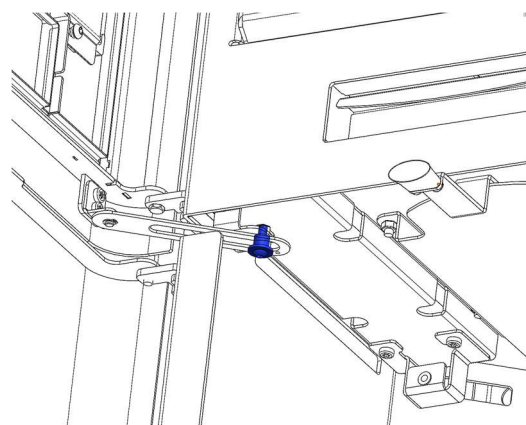


Figure No.20 - Step 2. Disassemble the shaft

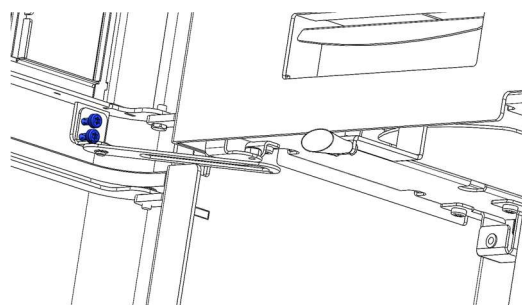


Figure No.21 - Step 3. Remove door support screws

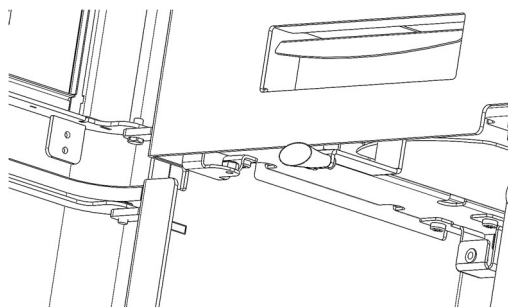


Figure No.22 - Step 4. Remove mechanism

3.11. Door opening and closing

It is recommended to open and close the stove door according to the following indications.





3.12. Stone panels

The steel side panels and countertop can be replaced with serpentine stone.

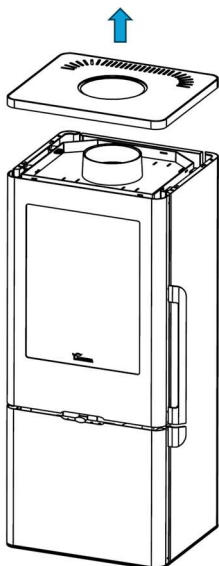


Figure No.23 - Step 1. Remove countertop

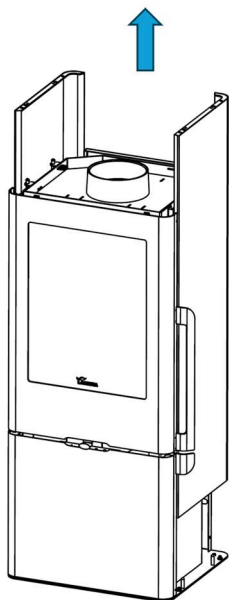


Figure No.24 - Step 2. Remove side panels

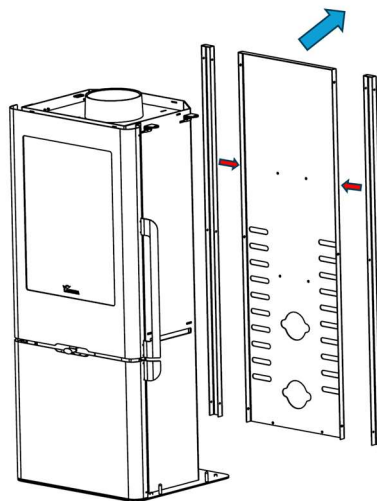


Figure No.25 - Step 3. Dismantle the double rear panel and install the filler pieces

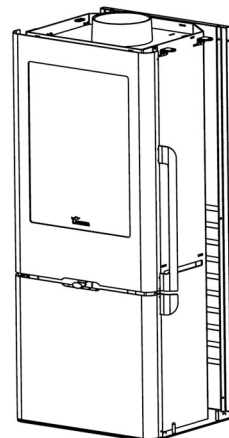


Figure No.26 - Step 4. Install the double rear panel

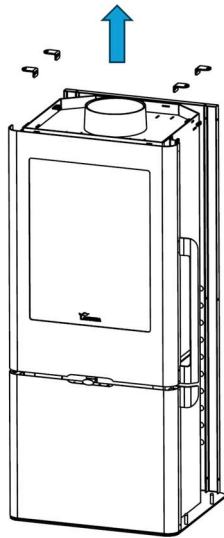


Figure No.27 - Step 5. Dismantle the steel side supports

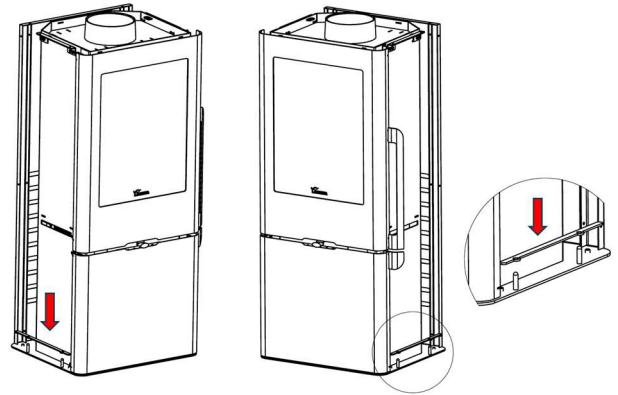


Figure No.29 - Step 7. Install the serpentine-stone side shims

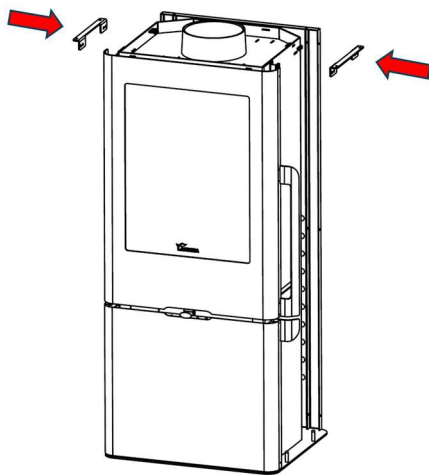


Figure No.28 - Step 6. Install the serpentine-stone side supports

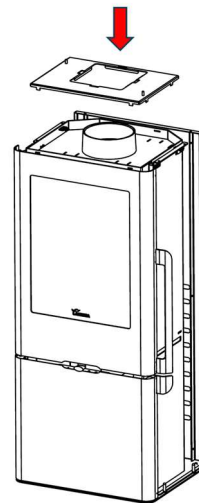


Figure No.30 - Step 8. Install the serpentine-stone countertop support

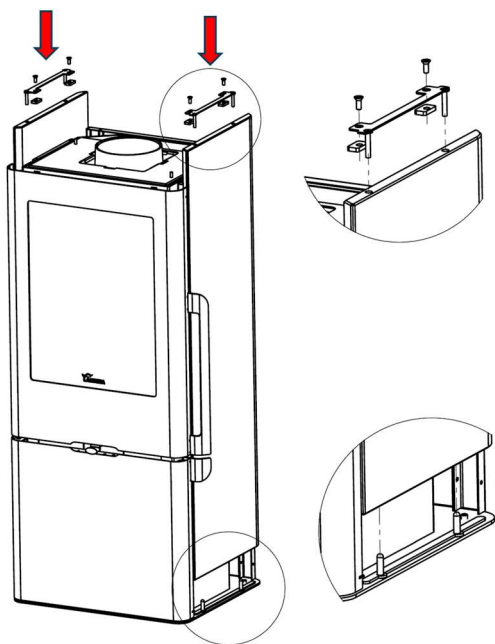


Figure No.31 - Step 9. Position the serpentine-stone side panels and secure them with the supports

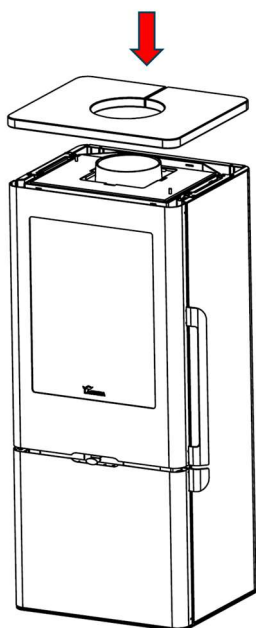


Figure No.32 - Step 10. Install the serpentine-stone countertop



4. MAINTENANCE AND IMPORTANT ADVICE

4.1. Maintenance of the appliance

The appliance, the flue connector piping and the flue must be cleaned regularly, particularly following long periods without use.

4.1.1. Firebox

Clean the firebox area of ash, etc.

4.1.2. Inside the appliance

The inside of the firebox can also be accessed from the bottom by extracting-pushing up the cast-iron grille and removing the ashpit. Clean the area of ash through the hollow left after removal (use a vacuum cleaner if necessary). The cast-iron base can also be extracted if necessary.

Clean the firebox area of ash. Clean the deflectors, where soot may build up.

4.1.3. Flue socket

The flue socket area must be kept clean at all times for the appliance to work properly.

It must be cleaned as often as required. How often it is cleaned depends on how much the appliance is used and the type of fuel employed.

4.1.4. Painted sheet-steel-cast-iron parts.

These parts should be cleaned with a brush or dry cloth. Do not dampen the parts: the steel could rust and the paint could blister and chip. Be particularly careful when cleaning the glass: the liquids used must not dampen the painted steel.

4.1.5. Firebox glass

To keep the glass as clean as possible for as long as possible, the secondary air register should be kept open. However, over the hours of use, the glass may become

dirty. To clean it, we will use specific degreasing products or dry cleaning products for this task.

The cleaning should be carried out with the glass cold and taking care not to apply the glass cleaner directly on the glass as, if it comes into contact with the door's closing cord, it may deteriorate. Put the cleaning product on the cloth.

Note: If we use the appliance in draught conditions higher than 15Pa or burn more wood (per hour) than those indicated in table 1.1, we will subject the appliance to working conditions higher than those designed for it. This can lead to aggressive fouling of the glass (white halo), which cannot be cleaned by the traditional method.

Caution, the vitro ceramic glass is prepared to support 700°C. Never let burning woods or combustion flame beating against the glass for prolonged periods of time. In this case, the glass would be submit to temperatures above 750°C, this could change the internal structure of the glass and make it opaque (irreversible phenomenon).

4.1.6. Air intake registers

In the air intake for combustion registers, remains of ash, sawdust, cleaning fluids, etc. may accumulate, which restrict or hinder its movement. In these cases, they should be released and cleaned.

4.2. Maintenance of the chimney flue

VERY IMPORTANT: In order to avoid incidents (chimney fires, etc.), it is necessary to perform maintenance and cleaning operations on a regular basis; if the appliance is used often, then the chimney and the flue connector piping must be swept several times a year.

In the event of fire in the chimney, close the flue draught, close doors and windows, remove embers from the firebox, block the



connection hole with damp cloths and call de fire brigade.

4.3. Important advice

Lacunza recommends that only Lacunza-authorized replacement parts be used.

Lacunza accepts no liability for any modification to the product which it has not authorised.






This appliance is a heat-producing appliance and contact may lead to burns.

This appliance may remain HOT for a period of time after it has gone out. MAKE SURE THAT SMALL CHILDREN DO NOT GO NEAR IT.

5. TROUBLESHOOTING



This symbol means that a qualified professional should be called to perform the operation.

Problem	Probable causes		Solution
The fire does not light properly The fire does not stay alight	Green or damp wood		Use hard woods, cut at least 2 years ago and stored in a sheltered, ventilated place
	The logs are too large		Use crumpled paper or firelighters and dry wood chips to light the fire. Use split logs to keep the fire going
	Poor-quality wood		Use hard woods which produce heat and embers (chestnut, ash, maple, birch, elm, beech, etc.)
	Insufficient primary air		Open the primary- and secondary-air intakes completely, or even open the door slightly. Open the outdoor-air inlet grille
	Insufficient updraught		Check that the draught is not blocked. De-soot if necessary. Check that the flue is in perfect condition (airtight, insulated, dry, etc.)
The fire flames up too much	Excessive primary air		Close the primary- and secondary-air intakes partially or totally
	Excessive updraught		Install a draught damper
Smoke given off on lighting	Poor-quality wood		Do not continually burn chips, carpentry scraps (plywood, pallets, etc.)
	Cold flue		Heat up the flue by burning a piece of paper in the firebox.
Smoke during burning	The room is at low pressure		In rooms with Controlled Mechanical Ventilation, leave an outdoor window ajar until the fire is fully alight.
	Too little wood loaded		Load as recommended. Loads notably smaller than those recommended lead to low smoke temperature and downdraught.
	Insufficient updraught		Check the condition of the flue and insulation. Check that the piping is not blocked. Clean mechanically if necessary
	Wind enters the flue		Install an anti-downdraught system (Cowl) at the top of the chimney
Does not warm up enough	The room is at low pressure		In rooms with Controlled Mechanical Ventilation, there must be an outdoor-air inlet
	Poor-quality wood		Only use the recommended fuel
Water condenses (after the appliance has been lit more than 3 or 4 times)	Too little wood loaded		Load as recommended. Loads notably smaller than those recommended lead to low smoke temperature and condensation.
	Green or damp wood		Use hard woods, cut at least 2 years ago and stored in a sheltered, ventilated place.
	Condition of the flue		Lengthen the flue (5-6 metres minimum). Insulate the flue properly. Check the airtightness of the flue/appliance.

6. BASIC BREAKDOWNS

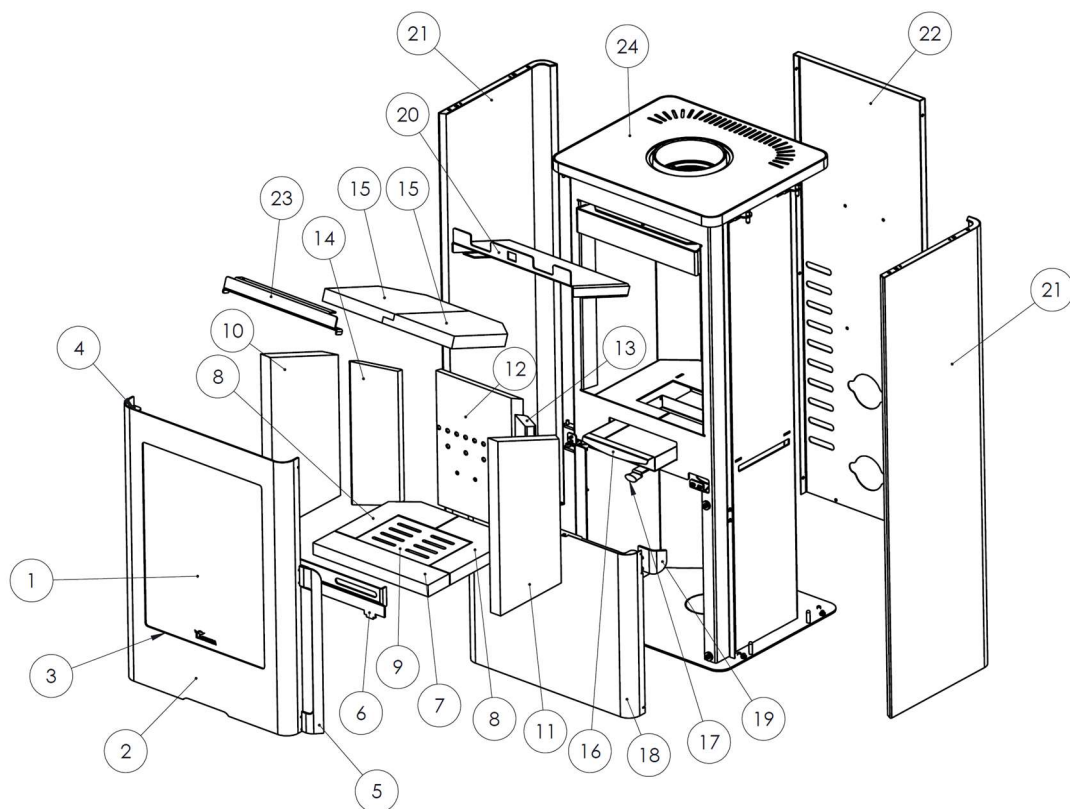


Figure No.1 - VELA Exploded View

Nº	CÓDIGO	DENOMINACION	CANTIDAD
1	5021260000	VELA, Cristal puerta frontal	1
2	5021260001	VELA, Cjto puerta hogar soldada	1
3	500000000510	Cordón plano 8x2mm	1,8m
4	509020000042	Cordón Ø13mm	4,75m
5	5021260002	VELA, tirador puerta hogar	1
6	5021260003	VELA, protección antiderrame ceniza	1
7	5021260004	VELA, base vermiculita	1
8	5021210006	MAYA, vermiculita base drch-izqd	2
9	5040000904	Nickel-Adour, Parrilla hogar	1
10	5021260005	VELA, vermiculita lado izqd	1
11	5021260006	VELA, vermiculita lateral drch	1
12	5021210009	MAYA, vermiculita trasera	1
13	5021210010	MAYA, vermiculita esquina drch	1
14	5021210011	MAYA, vermiculita esquina izqd	1
15	5021210012	MAYA, deflector vermiculita	2
16	5021260007	VELA, Cajetín cenicero	1

17	502120008	Martina pomo negro	1
18	502126008	VELA, Cjto puerta leñero	1
19	502126009	VELA, tirador puerta leñero	1
20	5021210016	MAYA, deflector superior	1
21	5021260010	VELA, Cjto carenado lateral	2
22	5021260011	VELA, doble trasera	1
23	5021210023	MAYA, Soporte refuerzo deflector	1
24	5021260012	VELA, Cjto encimera superior	1

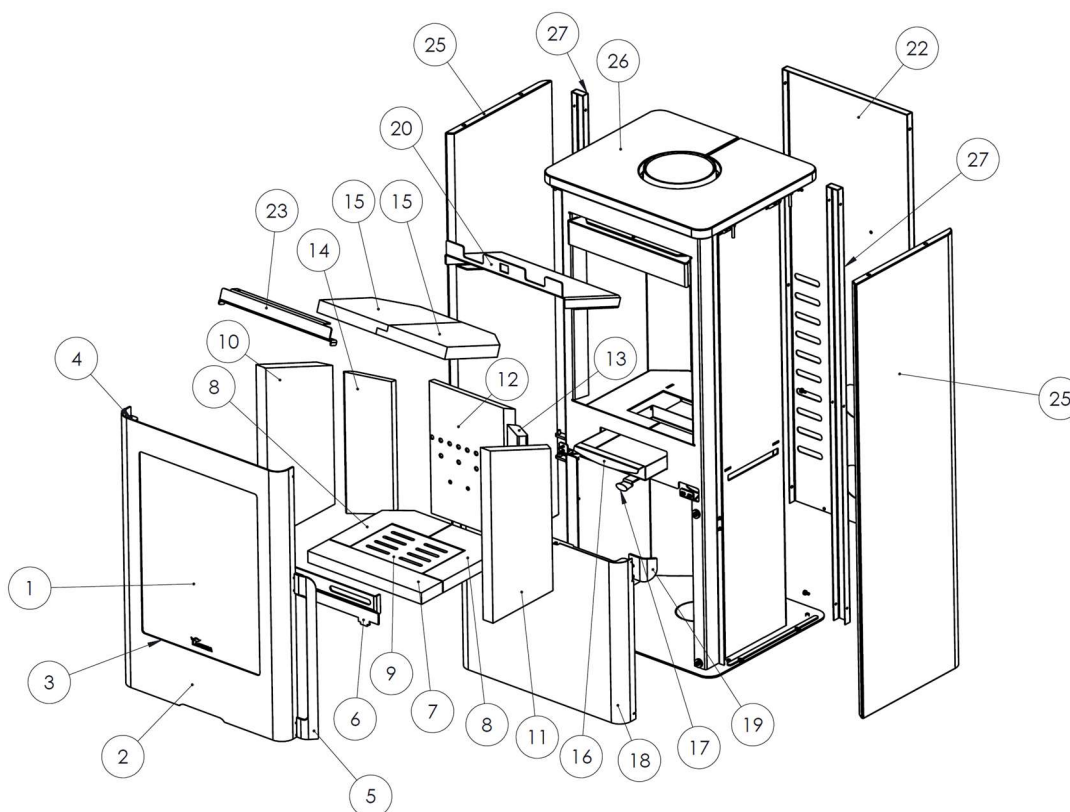


Figure No.2 - VELA Serpentino Exploded View

Nº	CÓDIGO	DENOMINACION	CANTIDAD
1	5021260000	VELA, Cristal puerta frontal	1
2	5021260001	VELA, Cjto puerta hogar soldada	1
3	500000000510	Cordón plano 8x2mm	1,8m
4	509020000042	Cordón Ø13mm	4,75m
5	5021260002	VELA, tirador puerta hogar	1
6	5021260003	VELA, protección antiderrame ceniza	1
7	5021260004	VELA, base vermiculita	1
8	5021210006	MAYA, vermiculita base drch-izqd	2
9	5040000904	Nickel-Adour, Parrilla hogar	1
10	5021260005	VELA, vermiculita lado izqd	1



11	5021260006	VELA, vermiculita lateral drch	1
12	5021210009	MAYA, vermiculita trasera	1
13	5021210010	MAYA, vermiculita esquina drch	1
14	5021210011	MAYA, vermiculita esquina izqd	1
15	5021210012	MAYA, deflector vermiculita	2
16	5021260007	VELA, Cajetín cenicero	1
17	5021200008	Martina pomo negro	1
18	5021260008	VELA, Cjto puerta leñero	1
19	5021260009	VELA, tirador puerta leñero	1
20	5021210016	MAYA, deflector superior	1
22	5021260011	VELA, doble trasera	1
23	5021210023	MAYA, Soporte refuerzo deflector	1
25	5021260013	VELA, piedra revestimiento lateral Serpentino	2
26	5021260014	VELA, piedra encimera Serpentino sandblasted	1



7. PRODUCT RECYCLING

The recycling of the appliance is the exclusive responsibility of the owner, who must act in compliance with the laws in force in his country regarding safety, respect and protection of the environment. At the end of its useful life, the product must not be disposed of with urban waste.

It can be delivered to the specific selective collection centers set up by the municipalities, or to retailers who offer this service. The selective disposal of the product avoids possible negative consequences for the environment and for health and makes it possible to recover the materials of which it is composed, thus obtaining significant savings in terms of energy and resources.

It can be disassembled (the parts are assembled with screws or rivets) and the components can be deposited in their corresponding recycling channels. The components of the appliance are: steel, cast iron, glass, insulating materials, electrical material, etc.

8. DECLARATION OF PERFORMANCE



ES FR EN IT PT DE

N.º ES -S-062

DECLARACIÓN DE PRESTACIONES

Conforme al R. E. Productos Construcción (UE) N° 305/2011

DÉCLARATION DE PERFORMANCE

Selon le Règlement (UE) N° 305/2011

DECLARATION OF PERFORMANCE

According to Regulation (UE) N° 305/2011

DICHIARAZIONE DI PRESTAZIONE

In base al Regolamento (UE) N° 305/2011

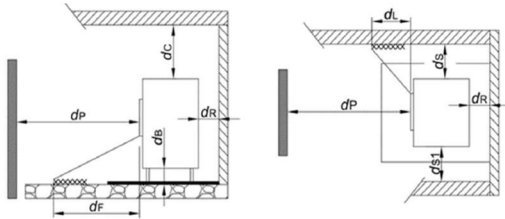
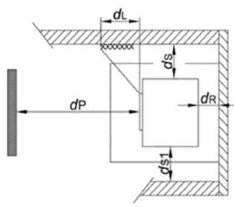
DECLARAÇÃO DE PRESTAÇÕES

Em base com o Regulamento (UE) N° 305/2011

LEISTUNGSERKLÄRUNG

Gemäß R. E. Bauprodukte (EU) Nr. 305/2011

1 Código de identificación única del producto tipo: Code d'identification unique du produit type: <i>Unique identification code of the product-type:</i> Code di identificazione unico del prodotto-tipo: Código de identificação único do produto-tipo: <i>Eindeutiger Kenncode des Produkttyps:</i>	VELA VELA SERPENTINO 5,5 kW
2 Usos previstos: Usage(s) prévu(s): <i>Intended</i> Usi previsti: Utilização(ões) prevista(s): <i>Verwendungszweck(e):</i>	Estufa de calefacción residencial, alimentada con combustibles sólidos. Poêles de chauffage domestiques à combustible solid. Residential solid fuel burning Roomheaters. Stufa di riscaldamento domestici a combustibile solido. Fogão de aquecimento residencial, alimentado por combustíveis sólidos. Häusliche Raumheizer für feste Brennstoffe.
3 Fabricante: Fabricant: <i>Manufacturer:</i>	Fabricante: Fabricant: <i>Hersteller:</i> LACUNZA KALOR GROUP S.A.L. Pol. Ind. Ibarrea 5A 31800 Alsasua (Navarra) (Spain) T. (0034) 948563511 comercial@lacunza.net www.lacunza.net
5 Sistemas de evaluación y verificación de la constancia de las prestaciones (EVCP): Système(s) d'évaluation et de vérification de la constance des performances: <i>System/s of AVCP:</i>	Sistemi di VVCP: Sistema(s) de avaliação e verificação da regularidade do desempenho (AVCP): <i>System zur Bewertung und Überprüfung der Leistungsbeständigkeit:</i> 3
6a Norma armonizada: Norme harmonisée: <i>Harmonised standard:</i>	Norma armonizzata: Norma harmonizada: <i>Harmonisierte Norm:</i> EN-16510-2-1 (2022)
6a Organismos notificados: Organisme(s) notifié(s): <i>Notified body/ies:</i>	Organismi notificati: Organismo(s) notificado(s): <i>Notifizierte Stelle(n):</i> CEIS N°1722 Centro de ensayos, innovación y servicios Cr. Villaviciosa de Odón a Móstoles(M-856) Km 1.5 Móstoles 28935

7	Características esenciales Caractéristiques essentielles <i>Essential features</i>	Caratteristiche essenziali Características essenciais <i>Unerlässliche Eigenschaften</i>	Prestaciones declaradas: Performance(s) déclarée(s): <i>Declared performance/s:</i>	Prestazioni dichiarate: Desempenho(s) declarado(s): <i>Erklärte Leistung(en):</i>																
	Capacidad para soportar carga Capacité de chargement <i>Load bearing capacity</i>	Capacità di carico Capacidade de carga <i>Tragfähigkeit</i>	NPD																	
	Protección de materiales combustibles Protection des matériaux combustibles <i>Protection of combustible materials</i>	Protezione dei materiali combustibili Proteção de materiais combustíveis <i>Schutz brennbarer Materialien</i>																		
			<table border="1"> <tr> <td>d_S =</td> <td>300 mm</td> <td>d_L =</td> <td>0 mm</td> </tr> <tr> <td>d_{S1} =</td> <td>300 mm</td> <td>d_C =</td> <td>500 mm</td> </tr> <tr> <td>d_R =</td> <td>100 mm</td> <td>d_F =</td> <td>0 mm</td> </tr> <tr> <td>d_P =</td> <td>1000 mm</td> <td>d_B =</td> <td>0 mm</td> </tr> </table>	d_S =	300 mm	d_L =	0 mm	d_{S1} =	300 mm	d_C =	500 mm	d_R =	100 mm	d_F =	0 mm	d_P =	1000 mm	d_B =	0 mm	
d_S =	300 mm	d_L =	0 mm																	
d_{S1} =	300 mm	d_C =	500 mm																	
d_R =	100 mm	d_F =	0 mm																	
d_P =	1000 mm	d_B =	0 mm																	
			A	B																
	Prestación Declarada a Potencia Calorífica: Performance déclarée à la puissance thermique: <i>Declared Performance at Heating Power:</i> Prestazioni dichiarate alla potenza termica: Desempenho declarado na potência de aquecimento: <i>Angegebene Leistung bei:</i>		Nominal Nominale <i>Nominal</i> Nominal Nominale <i>Nominal</i> Nennheizleistung	A carga parcial À charge partielle <i>At partial load</i> A carico parziale Com carga parcial <i>Teillast-Heizleistung</i>																
	Emisión. Émission. Emission. Emissione. Emissão. Emission CO_{nom} (13%O₂) / CO_{part} (13%O₂)		A	B																
	Emisión. Émission. Emission. Emissione. Emissão. Emission NO_{xnom} (13%O₂) / NO_{xpart} (13%O₂)		A	B																
	Emisión. Émission. Emission. Emissione. Emissão. Emission OGC_{nom} (13%O₂) / OGC_{part} (13%O₂)		A	B																
	Emisión. Émission. Emission. Emissione. Emissão. Emission PM_{nom} (13%O₂) / PM_{part} (13%O₂)		A	B																
	Temperatura de salida de gases de combustión (TS_{nom}/TS_{part}) Température de sortie des gaz de combustion (TS _{nom} /TS _{part}) <i>Combustion gas outlet temperature (TS_{nom}/TS_{part})</i> Temperatura uscita gas di combustione (TS_{nom}/TS_{part}) Temperatura de saída do gás de combustão (TS _{nom} /TS _{part}) <i>Verbrennungsgasaustrittstemperatur (TS_{nom}/TS_{part})</i>		A	B																
	Tiro mínimo (P_{nom}/P_{part}) Tirage minimum (P _{nom} /P _{part}) <i>Minimum depression (P_{nom}/P_{part})</i>	Depressione minima (P_{nom}/P_{part}) Depressão mínima (P _{nom} /P _{part}) <i>Minimale depression (P_{nom}/P_{part})</i>	A	B																
	Caudal máxico de los gases de combustión (Øf_{g, nom}/Øf_{g, part}) Débit massique des gaz de combustion (Øf _{g, nom} /Øf _{g, part}) <i>Mass flow rate of combustion gases (Øf_{g, nom}/Øf_{g, part})</i> Portata massica dei gas di combustione (Øf_{g, nom}/Øf_{g, part}) Taxa de fluxo de massa de gases de combustão (Øf _{g, nom} /Øf _{g, part}) <i>Massenstrom der Verbrennungsgase (Øf_{g, nom}/Øf_{g, part})</i>		A	B																
	Seguridad contra incendios de instalaciones en una chimenea (T_{class}) Sécurité incendie des installations dans une cheminée (T _{class}) <i>Fire safety of installations in a chimney (T_{class})</i> Sicurezza antincendio delle installazioni (T_{class}) Segurança contra incêndio de instalações em chaminé (T _{class}) <i>Brandschutz von Anlagen in einem Schornstein (T_{class})</i>		T400																	

Potencia de calefacción (P_{nom}/P_{part}) Puissance de chauffe (P _{nom} /P _{part}) <i>Heating power (P_{nom}/P_{part})</i>	Potenza di riscaldamento (P_{nom}/P_{part}) Potência de aquecimento (P _{nom} /P _{part}) <i>Heizleistung (P_{nom}/P_{part})</i>	A 5,5 kW	B 2,2 kW
Potencia de calentamiento de agua (PW_{nom}/PW_{part}) Puissance de chauffage de l'eau (PW _{nom} /PW _{part}) <i>Water heating power (PW_{nom}/PW_{part})</i>		A NPД	B NPД
Potenza di riscaldamento dell'acqua (PW_{nom}/PW_{part}) Potência de aquecimento (PW _{nom} /PW _{part}) <i>Wasserheizleistung (PW_{nom}/PW_{part})</i>			
Efficiencia (η_{nom}/η_{part}) Efficacité (η _{nom} /η _{part}) <i>Efficiency (η_{nom}/η_{part})</i>	Efficiencia (η_{nom}/η_{part}) Eficiência (η _{nom} /η _{part}) <i>Effizienz (η_{nom}/η_{part})</i>	A 82 %	B 88%
Efficiencia de calefacción estacional (η_s) Efficacité du chauffage saisonnier (η _s) <i>Seasonal heating efficiency (η_s)</i>	Efficiencia térmica stagionale (η_s) Eficiência de aquecimento sazonal (η _s) <i>Saisonale Heizeffizienz (η_s)</i>	72	
Índice eficiencia energética (EEI) Indice d'efficacité énergétique (EEI) <i>Energy efficiency index (EEI)</i>	Índice di efficienza energetica (EEI) Índice de eficiência energética (EEI) <i>Energieeffizienzindex (EEI)</i>	109	
Clase Classe <i>Class</i>	Clase Classe <i>Klasse</i>	A+	
Consumo de energía eléctrica (elmáx / elmin) Consommation d'énergie électrique (elmáx / elmin) <i>Electrical energy consumption (elmáx / elmin)</i>	Consumo di energia elettrica (elmáx / elmin) Consumo de energia elétrica (elmáx / elmin) <i>Elektrischer Energieverbrauch (elmáx / elmin)</i>	A NPД	B NPД
Consumo de energía modo espera (elsb) Consommation d'énergie en veille (elsb) <i>Standby power consumption (elsb)</i>	Consumo energético in standby (elsb) Consumo de energia em espera (elsb) <i>Standby-Stromverbrauch (elsb)</i>	NPД	
Sostenibilidad medioambiental La durabilité environnementale <i>Environmental sustainability</i>	Sostenibilità ambientale Sustentabilidade ambiental <i>Umweltverträglichkeit</i>		

Las prestaciones del producto identificado anteriormente son conformes con el conjunto de las prestaciones declaradas.

Les performances du produit identifié ci-dessus sont conformes à toutes les performances déclarées.

The performances of the product identified above are in accordance with all the declared performances.

La presente declaración de prestaciones se emite, de conformidad con el Reglamento (UE) n° 305/2011, bajo la sola responsabilidad del fabricante arriba identificado.

Cette déclaration des performances est établie, conformément au Règlement (UE) n° 305/2011, sous la seule responsabilité du fabricant identifié ci-dessus.

This declaration of performance is issued, in accordance with Regulation (EU) No. 305/2011, under the sole responsibility of the manufacturer identified above.

Le prestazioni del prodotto sopra identificato sono conformi a tutte le prestazioni dichiarate.

Os desempenhos do produto acima identificados estão de acordo com todos os desempenhos declarados.

Die oben genannten Leistungen des Produkts entsprechen allen erklärten Leistungen.

La presente dichiarazione di prestazione viene rilasciata, in conformità al Regolamento (UE) n. 305/2011, sotto la responsabilità esclusiva del produttore sopra identificato.

Esta declaração de desempenho é emitida, de acordo com o Regulamento (UE) n.º 305/2011, sob a exclusiva responsabilidade do fabricante acima identificado.

Die Erstellung dieser Leistungserklärung erfolgt gemäß Verordnung (EU) Nr. 305/2011 in alleiniger Verantwortung des oben genannten Herstellers.



LACUNZA KALOR GROUP S.A.L.
 Pol. Ind. Ibarrea SA 31800
 Alsasua (Navarra) (Spain)
 T. (0034) 948563511
 comercial@lacunza.net
 www.lacunza.net

Firmado por y en nombre del fabricante por:
 Signé pour le fabricant et en son nom par:
Signed for and on behalf of the manufacturer by:
Firmato a nome e per conto del fabbricante da:
 Assinado por e em nome do fabricante por:
Unterzeichnet für den Hersteller und im Namen des Herstellers von :

ALSASUA (Navarra, Spain) a 18/02/2026



Igor Ruiz de Alegria
 Director Gerente de Negocio



ES FR EN IT PT DE

N.º ES -S-062

DECLARACIÓN DE PRESTACIONES
 Conforme al R. E. Productos Construcción (UE) N° 305/2011
DÉCLARATION DE PERFORMANCE
 Selon le Règlement (UE) N° 305/2011
DECLARATION OF PERFORMANCE
 According to Regulation (UE) N° 305/2011

DICHIARAZIONE DI PRESTAZIONE
 In base al Regolamento (UE) N° 305/2011
DECLARAÇÃO DE PRESTAÇÕES
 Em base com o Regulamento (UE) N° 305/2011
LEISTUNGSERKLÄRUNG
 Gemäß R. E. Bauprodukte (EU) Nr. 305/2011

<p>1 Código de identificación única del producto tipo: Code d'identification unique du produit type: <i>Unique identification code of the product-type:</i> Codice di identificazione unico del prodotto-tipo: Código de identificação único do produto-tipo: <i>Eindeutiger Kenncode des Produkttyps:</i></p>	<p>VELA VELA SERPENTINO 7,1 kW</p>	
<p>2 Usos previstos:</p> <p>Usage(s) prévu(s):</p> <p><i>Intended</i></p> <p>Usi previsti:</p> <p>Utilização(ões) prevista(s):</p> <p><i>Verwendungszweck(e):</i></p>	<p>Estufa de calefacción residencial, alimentada con combustibles sólidos.</p> <p>Poêles de chauffage domestiques à combustible solide.</p> <p>Residential solid fuel burning Roomheaters.</p> <p>Stufa di riscaldamento domestici a combustibile solido.</p> <p>Fogão de aquecimento residencial, alimentado por combustíveis sólidos.</p> <p>Häusliche Raumheizer für feste Brennstoffe.</p>	
<p>3 Fabricante: Fabricant: <i>Manufacturer:</i></p>	<p>Fabricante: Fabricant: <i>Hersteller:</i></p>	<p>LACUNZA KALOR GROUP S.A.L. Pol. Ind. Ibarrea 5A 31800 Alsasua (Navarra) (Spain) T. (0034) 948563511 comercial@lacunza.net www.lacunza.net</p>
<p>5 Sistemas de evaluación y verificación de la constancia de las prestaciones (EVCP): Système(s) d'évaluation et de vérification de la constance des performances: <i>System/s of AVCP:</i></p>	<p>Sistemi di VVCP: Sistema(s) de avaliação e verificação da regularidade do desempenho (AVCP): <i>System zur Bewertung und Überprüfung der Leistungsbeständigkeit:</i></p>	<p>3</p>
<p>6a Norma armonizada: Norme harmonisée: <i>Harmonised standard:</i></p>	<p>Norma armonizzata: Norma harmonizada: <i>Harmonisierte Norm:</i></p>	<p>EN-16510-2-1 (2022)</p>
<p>6a Organismos notificados: Organisme(s) notifié(s): <i>Notified body/ies:</i></p>	<p>Organismi notificati: Organismo(s) notificado(s): <i>Notifizierte Stelle(n):</i></p>	<p>CEIS N°1722 Centro de ensayos, innovación y servicios Cr. Villaviciosa de Odón a Móstoles(M-856) Km 1.5 Móstoles 28935</p>

7	Características esenciales Caractéristiques essentielles <i>Essential features</i>	Caratteristiche essenziali Características essenciais <i>Unerlässliche Eigenschaften</i>	Prestaciones declaradas: Performance(s) déclarée(s): <i>Declared performance/s:</i>	Prestazioni dichiarate: Desempenho(s) declarado(s): <i>Erklärte Leistung(en):</i>
	Capacidad para soportar carga Capacité de chargement <i>Load bearing capacity</i>	Capacità di carico Capacidade de carga <i>Tragfähigkeit</i>	NPD	
	Protección de materiales combustibles Protection des matériaux combustibles <i>Protection of combustible materials</i>	Protezione dei materiali combustibili Proteção de materiais combustíveis <i>Schutz brennbarer Materialien</i>		
			dS = 300 mm dS1 = 300 mm dR = 100 mm dP = 1000 mm	dL = 0 mm dC = 500mm dF = 0 mm dB = 0 mm
			A	B
	Prestación Declarada a Potencia Calorífica: Performance déclarée à la puissance thermique: <i>Declared Performance at Heating Power:</i> Prestazioni dichiarate alla potenza termica: Desempenho declarado na potência de aquecimento: <i>Angegebene Leistung bei:</i>		Nominal Nominale <i>Nominal</i> Nominal Nominal <i>Nennheizleistung</i>	A carga parcial À charge partielle <i>At partial load</i> A carico parziale Com carga parcial <i>Teillast-Heizleistung</i>
	Emisión. Émission. Emission. Emissione. Emissão. Emission CO_{nom} (13%O₂) / CO_{part} (13%O₂)		A 648 mg/m³	B 3524 mg/m³
	Emisión. Émission. Emission. Emissione. Emissão. Emission NO_{xnom} (13%O₂) / NO_{xpart} (13%O₂)		A 73 mg/m³	B 125 mg/m³
	Emisión. Émission. Emission. Emissione. Emissão. Emission OGC_{nom} (13%O₂) / OGC_{part} (13%O₂)		A 13 mg/m³	B 361 mg/m³
	Emisión. Émission. Emission. Emissione. Emissão. Emission PM_{nom} (13%O₂) / PM_{part} (13%O₂)		A 9 mg/Nm³	B 24 mg/Nm³
	Temperatura de salida de gases de combustión (TS_{nom}/TS_{part}) Température de sortie des gaz de combustion (TS _{nom} /TS _{part}) <i>Combustion gas outlet temperature (TS_{nom}/TS_{part})</i> Temperatura uscita gas di combustione (TS_{nom}/TS_{part}) Temperatura de saída do gás de combustão (TS _{nom} /TS _{part}) <i>Verbrennungsgasaustrittstemperatur (TS_{nom}/TS_{part})</i>		A 202 °C	B 120 °C
	Tiro mínimo (P_{nom}/P_{part}) Tirage minimum (P _{nom} /P _{part}) <i>Minimum depression (P_{nom}/P_{part})</i>	Depressione minima (P_{nom}/P_{part}) Depressão mínima (P _{nom} /P _{part}) <i>Minimale depression (P_{nom}/P_{part})</i>	A 12 Pa	B 6 Pa
	Caudal máxico de los gases de combustión (Øf_{g, nom}/Øf_{g, part}) Débit massique des gaz de combustion (Øf _{g, nom} /Øf _{g, part}) <i>Mass flow rate of combustion gases (Øf_{g, nom}/Øf_{g, part})</i> Portata massica dei gas di combustione (Øf_{g, nom}/Øf_{g, part}) Taxa de fluxo de massa de gases de combustão (Øf _{g, nom} /Øf _{g, part}) <i>Massenstrom der Verbrennungsgase (Øf_{g, nom}/Øf_{g, part})</i>		A 5,7 g/s	B 3,7 g/s
	Seguridad contra incendios de instalaciones en una chimenea (T_{class}) Sécurité incendie des installations dans une cheminée (T _{class}) <i>Fire safety of installations in a chimney (T_{class})</i> Sicurezza antincendio delle installazioni (T_{class}) Segurança contra incêndio de instalações em chaminé (T _{class}) <i>Brandschutz von Anlagen in einem Schornstein (T_{class})</i>		T400	

Potencia de calefacción (P_{nom}/P_{part}) Puissance de chauffe (P _{nom} /P _{part}) Heating power (P _{nom} /P _{part})	Potenza di riscaldamento (P_{nom}/P_{part}) Potência de aquecimento (P _{nom} /P _{part}) Heizleistung (P _{nom} /P _{part})	A 7,1 kW	B 2,2 kW
Potencia de calentamiento de agua (P_{Wnom}/P_{Wpart}) Puissance de chauffage de l'eau (P _{Wnom} /P _{Wpart}) Water heating power (P _{Wnom} /P _{Wpart})		A NPД	B NPД
Potenza di riscaldamento dell'acqua (P_{Wnom}/P_{Wpart}) Potência de aquecimento (P _{Wnom} /P _{Wpart}) Wasserheizleistung (P _{Wnom} /P _{Wpart})			
Efficiencia (η_{nom}/η_{part}) Efficacité (η _{nom} /η _{part}) Efficiency (η _{nom} /η _{part})	Efficiencia (η_{nom}/η_{part}) Eficiência (η _{nom} /η _{part}) Effizienz (η _{nom} /η _{part})	A 86 %	B 88 %
Efficiencia de calefacción estacional (η_S) Efficacité du chauffage saisonnier (η _S) Seasonal heating efficiency (η _S)	Efficiencia térmica stagionale (η_S) Eficiência de aquecimento sazonal (η _S) Saisonale Heizeffizienz (η _S)	76	
Índice eficiencia energética (EEI) Indice d'efficacité énergétique (EEI) Energy efficiency index (EEI)	Índice di efficienza energetica (EEI) Índice de eficiência energética (EEI) Energieeffizienzindex (EEI)	115	
Clase Classe Class	Clase Classe Klasse	A+	
Consumo de energía eléctrica (elmáx / elmin) Consommation d'énergie électrique (elmáx / elmin) Electrical energy consumption (elmáx / elmin)	Consumo di energia elettrica (elmáx / elmin) Consumo de energia elétrica (elmáx / elmin) Elektrischer Energieverbrauch (elmáx / elmin)	A NPД	B NPД
Consumo de energía modo espera (elsb) Consommation d'énergie en veille (elsb) Standby power consumption (elsb)	Consumo energético in standby (elsb) Consumo de energia em espera (elsb) Standby-Stromverbrauch (elsb)	NPД	
Sostenibilidad medioambiental La durabilité environnementale Environmental sustainability	Sostenibilità ambientale Sustentabilidade ambiental Umweltverträglichkeit		

Las prestaciones del producto identificado anteriormente son conformes con el conjunto de las prestaciones declaradas.

Les performances du produit identifié ci-dessus sont conformes à toutes les performances déclarées.

The performances of the product identified above are in accordance with all the declared performances.

La presente declaración de prestaciones se emite, de conformidad con el Reglamento (UE) n° 305/2011, bajo la sola responsabilidad del fabricante arriba identificado.

Cette déclaration des performances est établie, conformément au Règlement (UE) n° 305/2011, sous la seule responsabilité du fabricant identifié ci-dessus.

This declaration of performance is issued, in accordance with Regulation (EU) No. 305/2011, under the sole responsibility of the manufacturer identified above.

Le prestazioni del prodotto sopra identificato sono conformi a tutte le prestazioni dichiarate.

Os desempenhos do produto acima identificados estão de acordo com todos os desempenhos declarados.

Die oben genannten Leistungen des Produkts entsprechen allen erklärten Leistungen.

La presente dichiarazione di prestazione viene rilasciata, in conformità al Regolamento (UE) n. 305/2011, sotto la responsabilità esclusiva del produttore sopra identificato.

Esta declaração de desempenho é emitida, de acordo com o Regulamento (UE) n.º 305/2011, sob a exclusiva responsabilidade do fabricante acima identificado.

Die Erstellung dieser Leistungserklärung erfolgt gemäß Verordnung (EU) Nr. 305/2011 in alleiniger Verantwortung des oben genannten Herstellers.



LACUNZA KALOR GROUP S.A.L.
 Pol. Ind. Ibarrea SA 31800
 Alsasua (Navarra) (Spain)
 T. (0034) 948563511
 comercial@lacunza.net
 www.lacunza.net

Firmado por y en nombre del fabricante por:

Signé pour le fabricant et en son nom par:

Signed for and on behalf of the manufacturer by:

Firmato a nome e per conto del fabbricante da:

Assinado pore em nome do fabricante por:

Unterzeichnet für den Hersteller und im Namen


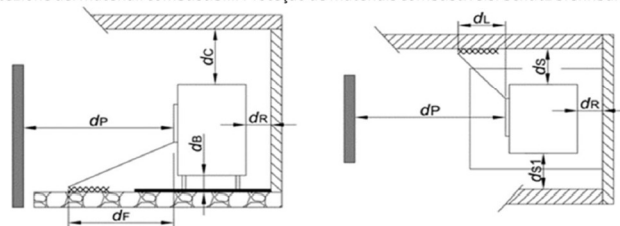
des Herstellers von :



Igor Ruiz de Alegria
 Director Gerente de Negocio

ALSASUA (Navarra, Spain) a 18/02/2026

9. CE MARK

	LACUNZA KALOR GROUP S.A.L. Pol. Ind. Ibarrea 5A 31800 Alsasua (Navarra) (Spain) www.lacunza.net DoP: ES-S-062 EN 16510-2-1 (2022)	
Marca, Marque, Mark, Marca, Markierung: LACUNZA Tipo, Type, Type, Tipo, Tipo, Nett: Estufa, Poêle, Stufa, Stove, Aquecedor, Holzofen Modelo, Modèle, Model, Modello, Modelo, Modell: VELA, VELA SERPENTINO	5,5 kW	
Organismo notificado: Organisme notifié: Notified body: Organismi notificati: Organismo notificado: Notifizierte Stelle: CEIS N° 1722		
Aparato Tipo, Type d'appareil, Apparat Type, Tipo di apparecchio, Tipo de aparelho, Gerätetyp: CA		
Estufa de calefacción residencial, alimentada con combustibles sólidos. Poêles de chauffage domestiques à combustible solid. Residential solid fuel burning Roomheaters. Stufa di riscaldamento domestici a combustibile solido. Fogão de aquecimento residencial, alimentado por combustíveis sólidos. Häusliche Raumheizer für feste Brennstoffe.		
Características esenciales, Caractéristiques essentielles, Essential features, Caratteristiche essenziali, Características essenciais, Unerlässliche Eigenschaften	Prestaciones, Performance, Prestazione, Services, Desempenho, Leistungen	
Capacidad para soportar carga, Capacité de chargement, Load bearing capacity, Capacità di carico, Capacidade de carga, Tragfähigkeit	NPD	
Protección de materiales combustibles. Protection des matériaux combustibles. Protection of combustible materials. Protezione dei materiali combustibili. Proteção de materiais combustíveis. Schutz brennbarer Materialien 	dS = 300mm dS1 = 300mm dR = 100mm dP = 1000mm dL = 0mm dC = 500mm dF = 0mm dB = 0mm	
Prestación Declarada a Potencia Calorífica: Performance déclarée à la puissance thermique: Declared Performance at Heating Power: Prestazioni dichiarate alla potenza termica: Desempenho declarado na potência de aquecimento: Angegebene Leistung bei:	Nominal Nominale Nominale Nominal Nennheizleistung	A carga parcial À charge partielle At partial load A carico parziale Com carga parcial Teillast-Heizleistung
Emisión. Émission. Emission. Emissione. Emissão. Emission CO _{nom} (13%O ₂) / CO _{part} (13%O ₂)	586 mg/m ³	3524 mg/m ³
Emisión. Émission. Emission. Emissione. Emissão. Emission NO _{xnom} (13%O ₂)/NO _{xpart} (13%O ₂)	127 mg/m ³	125 mg/m ³
Emisión. Émission. Emission. Emissione. Emissão. Emission OGC _{nom} (13%O ₂)/OGC _{part} (13%O ₂)	12 mg/m ³	361 mg/m ³
Emisión. Émission. Emission. Emissione. Emissão. Emission PM _{nom} (13%O ₂) / PM _{part} (13%O ₂)	7 mg/m ³	24 mg/m ³
Temperatura de salida de gases de combustión. Température de sortie des gaz de combustion. Combustion gas outlet temperature. Temperatura uscita gas di combustione. Temperatura de saída do gás de combustão. Verbrennungsgasaustrittstemperatur. (T _{Snom} /T _{Spart})	247 °C	120 °C
Tiro mínimo. Tirage minimum. Minimum depression. Depressione minima. Depressão mínima. Minimale depression (P _{nom} /P _{part})	12 Pa	6 Pa
Caudal másico de los gases de combustión. Débit massique des gaz de combustion. Mass flow rate of combustion gases. Portata massica dei gas di combustione. Taxa de fluxo de massa de gases de combustão. Massenstrom der Verbrennungsgase (Ø _{f,gnom} /Ø _{f,gpart})	5,2 g/s	3,7 g/s
Seguridad contra incendios de instalaciones en una chimenea. Sécurité incendie des installations dans une cheminée. Fire safety of installations in a chimney. Sicurezza antincendio delle installazioni. Segurança contra incêndio de instalações em chaminé.Brandschutz von Anlagen in einem Schornstein (Tclass)	T400	
Potencia de calefacción. Puissance de chauffe. Heating power. Potenza di riscaldamento. Potência de aquecimento. Heizleistung (P _{nom} /P _{part})	5,5 kW	2,2 kW
Potencia de calentamiento de agua. Pussance de chauffage de l'eau. Water heating power.Potenza di riscaldamento del l'acqua. Potência de aquecimento. Wasserheizleistung (P _{Wnom} /P _{Wpart})		
Eficiencia. Efficacité. Efficiency. Efficienza. Eficiência. Effizienz (η _{nom} /η _{part})	82 %	88 %
Eficiencia de calefacción estacional. Efficacité du chauffage saisonnier. Seasonal heating efficiency. Efficienza térmica stagionale. Eficiência de aquecimento sazonal. Saisonale Heizeffizienz (η _s)	72%	
Índice eficiencia energética. Indice d'efficacité énergétique. Energy efficiency index. Indice di efficienza energética. Índice de eficiência energética. Energieeffizienzindex (EEI)	109	
Clase. Classe. Class. Classe. Classe.Klasse	A+	
Consumo de energía eléctrica. Consommation d'énergie électrique. Electrical energy consumption. Consumo di energia elettrica. Consumo de energia elétrica. Elektrischer Energieverbrauch (elmáx / elmín)		
Consumo de energía modo espera. Consommation d'énergie en veille. Standby power consumption. Consumo energético in standby. Consumo de energia em espera. Standby-Stromverbrauch (elsb)		

	LACUNZA KALOR GROUP S.A.L. Pol. Ind. Ibarrea 5A 31800 Alsasua (Navarra) (Spain) www.lacunza.net																																			
	DoP: ES-S-062	EN 16510-2-1 (2022)																																		
Marca, Marque, Mark, Marca, Marca, Markierung: LACUNZA		7,1 kW																																		
Tipo, Type, Type, Tipo, Tipo, Nett: Estufa, Poêle, Stufa, Stove, Aquecedor, Holzofen																																				
Modelo, Modèle, Model, Modello, Modelo, Modell: VELA, VELA SERPENTINO																																				
Organismo notificado: Organisme notifié: Notified body: Organismi notificati: Organismo notificado: Notifizierte Stelle: CEIS N° 1722																																				
Aparato Tipo. Type d'appareil. Apparatus Type. Tipo di apparecchio. Tipo de aparelho. Gerätetyp: CA																																				
Estufa de calefacción residencial, alimentada con combustibles sólidos. Poêles de chauffage domestiques à combustible solide. Residential solid fuel burning Roomheaters. Stufa di riscaldamento domestici a combustibile solido. Fogão de aquecimento residencial, alimentado por combustíveis sólidos. Häusliche Raumheizer für feste Brennstoffe.																																				
Características esenciales, Caractéristiques essentielles, Essential features, Caratteristiche essenziali, Características essenciais, Unerlässliche Eigenschaften		Prestaciones, Performance, Prestazione, Services, Desempenho, Leistungen																																		
Capacidad para soportar carga, Capacité de chargement, Load bearing capacity, Capacità di carico, Capacidade de carga, Tragfähigkeit		NPD																																		
Protección de materiales combustibles. Protection des matériaux combustibles. Protection of combustible materials. Protezione dei materiali combustibili. Proteção de materiais combustíveis. Schutz brennbarer Materialien		dS = 300mm dS1 = 300mm dR = 100mm dP = 1000mm dL = 0mm dC = 500mm dF = 0mm dB = 0mm																																		
																																				
Prestación Declarada a Potencia Calorífica: Performance déclarée à la puissance thermique: Declared Performance at Heating Power: Prestazioni dichiarate alla potenza termica: Desempenho declarado na potência de aquecimento: Angegebene Leistung bei:		<table border="1"> <thead> <tr> <th>Nominal Nominale Nominal Nominal Nominal Nennleistung</th> <th>A carga parcial À charge partielle At partial load A carico parziale Com carga parcial Teillast-Heizleistung</th> </tr> </thead> <tbody> <tr> <td>Emission. Émission. Emission. Emissione. Emissão. Emission CO_{nom} (13%O₂) / CO_{part} (13%O₂)</td> <td>648 mg/m³ / 3524 mg/m³</td> </tr> <tr> <td>Emission. Émission. Emission. Emissione. Emissão. Emission NO_{xnom} (13%O₂) / NO_{xpart} (13%O₂)</td> <td>73 mg/m³ / 125 mg/m³</td> </tr> <tr> <td>Emission. Émission. Emission. Emissione. Emissão. Emission O₂C_{nom} (13%O₂) / O₂C_{part} (13%O₂)</td> <td>13 mg/m³ / 361 mg/m³</td> </tr> <tr> <td>Emission. Émission. Emission. Emissione. Emissão. Emission PM_{nom} (13%O₂) / PM_{part} (13%O₂)</td> <td>9 mg/m³ / 24 mg/m³</td> </tr> <tr> <td>Temperatura de salida de gases de combustión. Température de sortie des gaz de combustion. Combustion gas outlet temperature. Temperatura uscita gas di combustione. Temperatura de saída do gás de combustão. Verbrennungsgasaustrittstemperatur. (TS_{nom}/TS_{part})</td> <td>202 °C / 120 °C</td> </tr> <tr> <td>Tiro mínimo. Tirage minimum. Minimum depression. Depressione minima. Depressão mínima. Minimale depression (P_{nom}/P_{part})</td> <td>12 Pa / 6 Pa</td> </tr> <tr> <td>Caudal máxico de los gases de combustión. Débit massique des gaz de combustion. Mass flow rate of combustion gases. Portata massica dei gas di combustion. Taxa de fluxo de massa de gases de combustão. Massenstrom der Verbrennungsgase (Øf_{gnom}/Øf_{gpart})</td> <td>5,7 g/s / 3,7 g/s</td> </tr> <tr> <td>Seguridad contra incendios de instalaciones en una chimenea. Sécurité incendie des installations dans une cheminée. Fire safety of installations in a chimney. Sicurezza antincendio delle installazioni. Segurança contra incêndio de instalações em chaminé. Brandschutz von Anlagen in einem Schornstein (T_{class})</td> <td style="text-align: center;">T400</td> </tr> <tr> <td>Potencia de calefacción. Puissance de chauffe. Heating power. Potenza di riscaldamento. Potência de aquecimento. Heizleistung (P_{nom}/P_{part})</td> <td>7,1 kW / 2,2 kW</td> </tr> <tr> <td>Potencia de calentamiento de agua. Pussance de chauffage de l'eau. Water heating power. Potenza di riscaldamento dell'acqua. Potência de aquecimento. Wasserheizleistung (PW_{nom}/PW_{part})</td> <td></td> </tr> <tr> <td>Eficiencia. Efficacité. Efficiency. Efficienza. Eficiência. Effizienz (η_{nom}/η_{part})</td> <td>86 % / 88 %</td> </tr> <tr> <td>Eficiencia de calefacción estacional. Efficacité du chauffage saisonnier. Seasonal heating efficiency. Efficienza térmica stagionale. Eficiência de aquecimento sazonal. Saisonale Heizeffizienz (η_s)</td> <td>76 %</td> </tr> <tr> <td>Índice eficiencia energética. Indice d'efficacité énergétique. Energy efficiency index. Índice de eficiencia energética. Índice de eficiência energética. Energieeffizienzindex (EEI)</td> <td>115</td> </tr> <tr> <td>Clase. Classe. Class. Classe. Classe. Klasse</td> <td>A+</td> </tr> <tr> <td>Consumo de energía eléctrica. Consommation d'énergie électrique. Electrical energy consumption. Consumo di energia elettrica. Consumo de energia elétrica. Elektrischer Energieverbrauch (elm_{ax} / elm_{in})</td> <td></td> </tr> <tr> <td>Consumo de energía modo espera. Consommation d'énergie en veille. Standby power consumption. Consumo energético in standby. Consumo de energia em espera. Standby-Stromverbrauch (elsb)</td> <td></td> </tr> </tbody> </table>	Nominal Nominale Nominal Nominal Nominal Nennleistung	A carga parcial À charge partielle At partial load A carico parziale Com carga parcial Teillast-Heizleistung	Emission. Émission. Emission. Emissione. Emissão. Emission CO _{nom} (13%O ₂) / CO _{part} (13%O ₂)	648 mg/m ³ / 3524 mg/m ³	Emission. Émission. Emission. Emissione. Emissão. Emission NO _{xnom} (13%O ₂) / NO _{xpart} (13%O ₂)	73 mg/m ³ / 125 mg/m ³	Emission. Émission. Emission. Emissione. Emissão. Emission O ₂ C _{nom} (13%O ₂) / O ₂ C _{part} (13%O ₂)	13 mg/m ³ / 361 mg/m ³	Emission. Émission. Emission. Emissione. Emissão. Emission PM _{nom} (13%O ₂) / PM _{part} (13%O ₂)	9 mg/m ³ / 24 mg/m ³	Temperatura de salida de gases de combustión. Température de sortie des gaz de combustion. Combustion gas outlet temperature. Temperatura uscita gas di combustione. Temperatura de saída do gás de combustão. Verbrennungsgasaustrittstemperatur. (TS _{nom} /TS _{part})	202 °C / 120 °C	Tiro mínimo. Tirage minimum. Minimum depression. Depressione minima. Depressão mínima. Minimale depression (P _{nom} /P _{part})	12 Pa / 6 Pa	Caudal máxico de los gases de combustión. Débit massique des gaz de combustion. Mass flow rate of combustion gases. Portata massica dei gas di combustion. Taxa de fluxo de massa de gases de combustão. Massenstrom der Verbrennungsgase (Øf _{gnom} /Øf _{gpart})	5,7 g/s / 3,7 g/s	Seguridad contra incendios de instalaciones en una chimenea. Sécurité incendie des installations dans une cheminée. Fire safety of installations in a chimney. Sicurezza antincendio delle installazioni. Segurança contra incêndio de instalações em chaminé. Brandschutz von Anlagen in einem Schornstein (T _{class})	T400	Potencia de calefacción. Puissance de chauffe. Heating power. Potenza di riscaldamento. Potência de aquecimento. Heizleistung (P _{nom} /P _{part})	7,1 kW / 2,2 kW	Potencia de calentamiento de agua. Pussance de chauffage de l'eau. Water heating power. Potenza di riscaldamento dell'acqua. Potência de aquecimento. Wasserheizleistung (PW _{nom} /PW _{part})		Eficiencia. Efficacité. Efficiency. Efficienza. Eficiência. Effizienz (η _{nom} /η _{part})	86 % / 88 %	Eficiencia de calefacción estacional. Efficacité du chauffage saisonnier. Seasonal heating efficiency. Efficienza térmica stagionale. Eficiência de aquecimento sazonal. Saisonale Heizeffizienz (η _s)	76 %	Índice eficiencia energética. Indice d'efficacité énergétique. Energy efficiency index. Índice de eficiencia energética. Índice de eficiência energética. Energieeffizienzindex (EEI)	115	Clase. Classe. Class. Classe. Classe. Klasse	A+	Consumo de energía eléctrica. Consommation d'énergie électrique. Electrical energy consumption. Consumo di energia elettrica. Consumo de energia elétrica. Elektrischer Energieverbrauch (elm _{ax} / elm _{in})		Consumo de energía modo espera. Consommation d'énergie en veille. Standby power consumption. Consumo energético in standby. Consumo de energia em espera. Standby-Stromverbrauch (elsb)	
Nominal Nominale Nominal Nominal Nominal Nennleistung	A carga parcial À charge partielle At partial load A carico parziale Com carga parcial Teillast-Heizleistung																																			
Emission. Émission. Emission. Emissione. Emissão. Emission CO _{nom} (13%O ₂) / CO _{part} (13%O ₂)	648 mg/m ³ / 3524 mg/m ³																																			
Emission. Émission. Emission. Emissione. Emissão. Emission NO _{xnom} (13%O ₂) / NO _{xpart} (13%O ₂)	73 mg/m ³ / 125 mg/m ³																																			
Emission. Émission. Emission. Emissione. Emissão. Emission O ₂ C _{nom} (13%O ₂) / O ₂ C _{part} (13%O ₂)	13 mg/m ³ / 361 mg/m ³																																			
Emission. Émission. Emission. Emissione. Emissão. Emission PM _{nom} (13%O ₂) / PM _{part} (13%O ₂)	9 mg/m ³ / 24 mg/m ³																																			
Temperatura de salida de gases de combustión. Température de sortie des gaz de combustion. Combustion gas outlet temperature. Temperatura uscita gas di combustione. Temperatura de saída do gás de combustão. Verbrennungsgasaustrittstemperatur. (TS _{nom} /TS _{part})	202 °C / 120 °C																																			
Tiro mínimo. Tirage minimum. Minimum depression. Depressione minima. Depressão mínima. Minimale depression (P _{nom} /P _{part})	12 Pa / 6 Pa																																			
Caudal máxico de los gases de combustión. Débit massique des gaz de combustion. Mass flow rate of combustion gases. Portata massica dei gas di combustion. Taxa de fluxo de massa de gases de combustão. Massenstrom der Verbrennungsgase (Øf _{gnom} /Øf _{gpart})	5,7 g/s / 3,7 g/s																																			
Seguridad contra incendios de instalaciones en una chimenea. Sécurité incendie des installations dans une cheminée. Fire safety of installations in a chimney. Sicurezza antincendio delle installazioni. Segurança contra incêndio de instalações em chaminé. Brandschutz von Anlagen in einem Schornstein (T _{class})	T400																																			
Potencia de calefacción. Puissance de chauffe. Heating power. Potenza di riscaldamento. Potência de aquecimento. Heizleistung (P _{nom} /P _{part})	7,1 kW / 2,2 kW																																			
Potencia de calentamiento de agua. Pussance de chauffage de l'eau. Water heating power. Potenza di riscaldamento dell'acqua. Potência de aquecimento. Wasserheizleistung (PW _{nom} /PW _{part})																																				
Eficiencia. Efficacité. Efficiency. Efficienza. Eficiência. Effizienz (η _{nom} /η _{part})	86 % / 88 %																																			
Eficiencia de calefacción estacional. Efficacité du chauffage saisonnier. Seasonal heating efficiency. Efficienza térmica stagionale. Eficiência de aquecimento sazonal. Saisonale Heizeffizienz (η _s)	76 %																																			
Índice eficiencia energética. Indice d'efficacité énergétique. Energy efficiency index. Índice de eficiencia energética. Índice de eficiência energética. Energieeffizienzindex (EEI)	115																																			
Clase. Classe. Class. Classe. Classe. Klasse	A+																																			
Consumo de energía eléctrica. Consommation d'énergie électrique. Electrical energy consumption. Consumo di energia elettrica. Consumo de energia elétrica. Elektrischer Energieverbrauch (elm _{ax} / elm _{in})																																				
Consumo de energía modo espera. Consommation d'énergie en veille. Standby power consumption. Consumo energético in standby. Consumo de energia em espera. Standby-Stromverbrauch (elsb)																																				

LACUNZA KALOR GROUP S.A.L

Pol. Ind. Ibarrea 5A

31800 Alsasua (Navarra) Spain

Tel.: (00 34) 948 56 35 11

Fax.: (00 34) 948 56 35 05

e-mail: comercial@lacunza.net

Website: www.lacunza.net

EDITION: 1

